

MARINE LIGHTING LED SOLUTIONS


HOSTMOST
SINCE 1989



JN LED PRODUCTS FOR
MARINE LIGHTING SUSTAINABLE &
INDIVIDUAL LIGHTING CONCEPTS

Your Partner For All Lighting Solutions In The
Technical And Decorative Lighting Business



CONTENTS



About JNLED	1
High Bay Lights	3
• LED High Bay Lights	
Floodlights	7
• Multi-purpose IP65 LED Floodlights	
• Modular LED Floodlights	
• Rotary Damper	
Navigation Lights	27
• Single-Lens LED Navigation Lights	
• Double-Lens LED Navigation Lights	
Solar LED Navigation lights	33
Triproof Lights	35
• JNTPL-ASeries	
• JNTPL-SS314Series	
Cabin Lights	41
• JN-Ceiling-SS304	• JN-Ceiling-RGBW&WW
• JN-Ceiling-PC1&2	• JN-Ceiling-WW
ATEX Series	47
• JNHB-ATEX-BSeries	• JN-ATEX-LinearCSeries
• JNFL-ATEX-ASeries	• JN-ATEX-LinearDSeries
• JNHB-ATEX-CSeries	• JN-ATEX-LinearESeries
• JNFL-ATEX-DSeries'	• JNFL-ATEX-FSeries
• JN-T-ATEX-OSeries	• JNFL-ATEX-ModelF
• JN-C-ATEX-CanopySeries	• JN-ATEX-StreetlightSeries
• JN-ATEX-LinearASeries	• JN-ATEX-Exit1Series
• JN-ATEX-LinearBSeries	• JN-ATEX-Exit2Series
• JN-ATEX-LinearCSeries	• JNHB-ATEX-GSeries
Searchlights	89
• Single Lamp and Dual Lamp Marine LED Searchlight Series	
Mobile LED Towers	95
Streetslights and Solar LED Streetlights	97
• IE Streetslights and Solar LED Streetlights	
LED Strip Lights	107
• COB LEDs	



ABOUT

With its strategic location in Hong Kong, JNLED is based near its long-term manufacturing LED lighting partners in Southern China. With a strong focus on quality, durability, and customization of products, we strive to supply the best solutions available to help customers achieve long-term savings and other benefits. JNLED offers a wide range of products with wide choice of dimming options, optics, LED chip options and LED driver options. Custom products and OEM solutions are available.

What sets JNLED apart from many other companies is the fact that replacement parts are available for most of our products, which enables future replacement of key components such as LED drivers and PCB's. This means users do not have to replace the entire product in most cases if a component fails. I'd like to somehow showcase this in the new catalogue Also, our products are mostly highly recyclable. These aspects help to reduce, reuse and recycle.





High Bay Lights Benefits

Energy saving, long life-span LED high bay lights with high lumen output.

Engineered to deliver powerful, energy-efficient illumination for large spaces with high ceilings, such as warehouses, factories, and sports facilities. With high lumen output and advanced LED technology, they significantly reduce energy consumption and maintenance costs thanks to their long lifespan. These fixtures offer bright, uniform lighting that improves visibility and safety while emitting minimal heat—ideal for indoor environments.



Your partner for all lighting solutions in the technical and decorative lighting business

jnled.net

Your partner for all lighting solutions in the technical and decorative lighting business

jnled.net



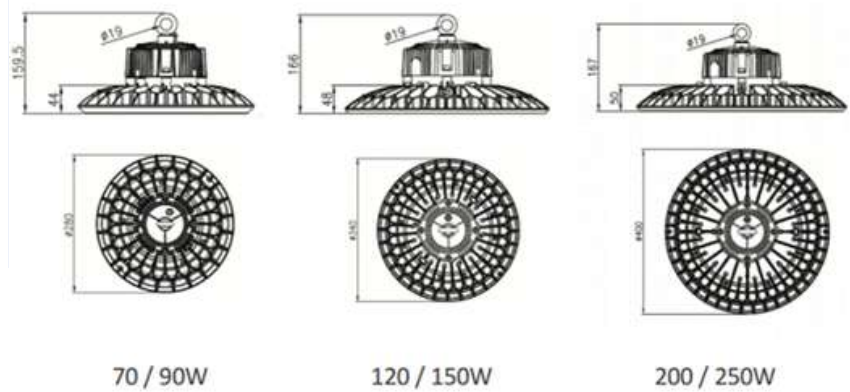
LED High Bay
70W-250W approx. (12,000-40,000lm approx.)



Technical Data

Model No.	Luminous Flux (lm)	LED Power (W)	System Power (W)	LED Driver Voltage (V)	Beam Angle (°)	Color Temp. (CRI)	Lifetime (hrs)	Working Temp. (°)
JNFB6-070S	12,400	70	77	Inventronics 100-305VAC	Beam Angle: 70°	2700K-6500K (70/80)	50,000	-40°C to +45°C
JNFB7-090S	15,900	90	99					
JNFB8-120S	21,800	120	132					
JNFB9-200S	32,000	190	200					
JNFL10-250S	39,750	240	250					
JNFL11-250S	50,300	300	320					

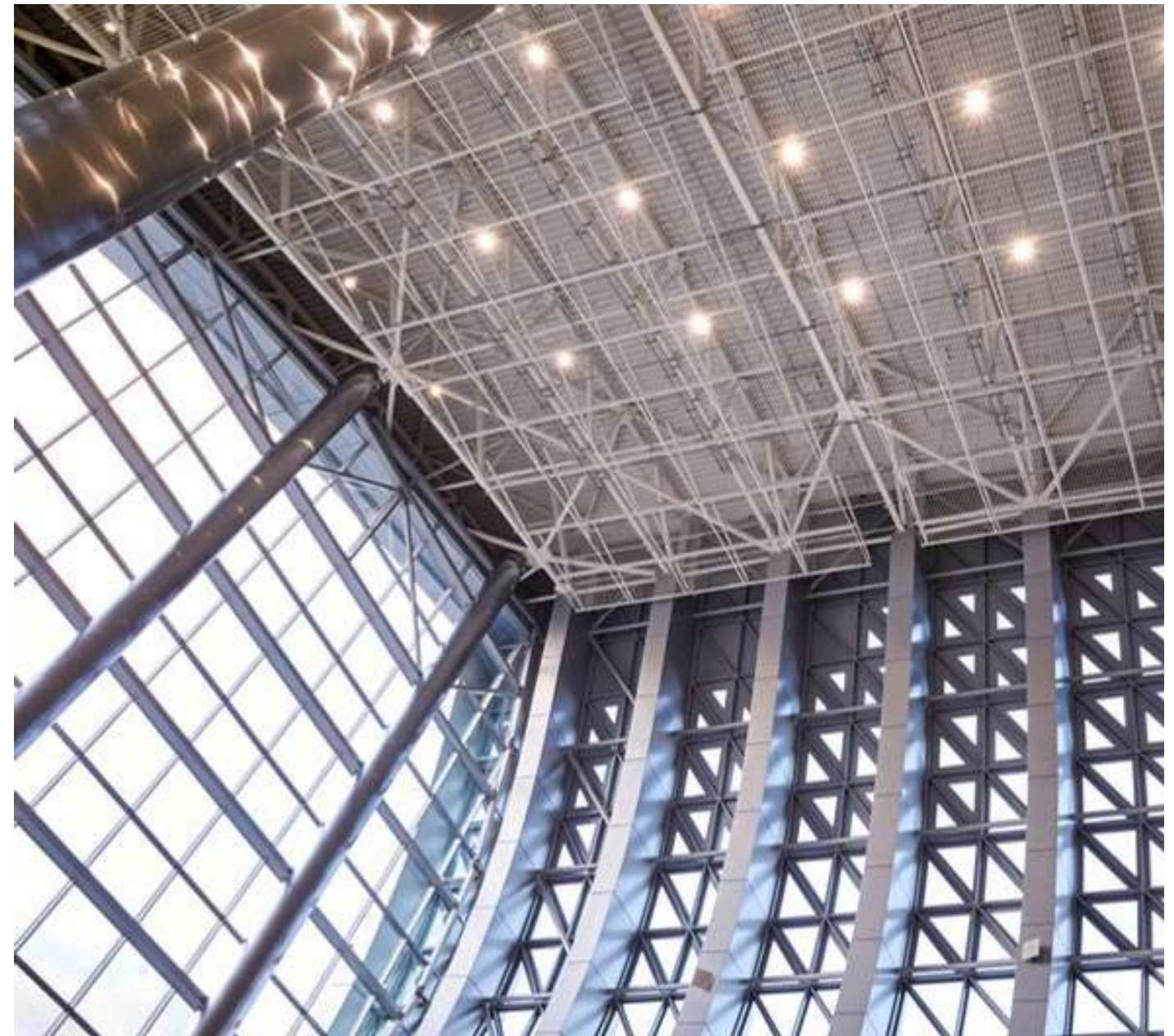
Dimensions



LED High Bay Lights provide powerful, efficient illumination for any industrial space.



Model No.	Weight (kg)	Dimensions (length* height in mm)	CCT	CRI	Dimming Control	Lifespan
JNFB6-070S	2.6	Ø280*160	3000K, 4000K, 5000K, 5700K, 6500K	>70 (>80 optional)	1-10V, PWM, DALI	100,000
JNFL11-080S	2.6	Ø280*160				
JNFL12-100S	3.7	Ø340*166				
JNFL13-150S	3.7	Ø340*166				
JNFL14-200S	4.6	Ø400*167				
JNFL15-250S	4.7	Ø400*167				





LED Floodlight Series Benefits

Up to 1800W and over 230,000 luminous flux, with system efficacy exceeding 140 lm/W

Slim profile offering best performance ratio for windage and weight.

Unique, fold fin heatsink technology greatly reduces thermal density and maintains a low LED junction temperature

Full range of optics for a wide variety of professional lighting applications

Protective UV stabilized powder coated finish

Coastal coatings (Akzo Nobel) available for additional protection against saline air and spray

IP65 weather resistant

0-10V or DALI Dimming options and compatible with all leading lighting control systems

Stainless steel 316 brackets available

Customized brackets available

Multi-Purpose IP65 LED Floodlights

30-1800W (7,000-265,000lm approx.)

For harbour cranes, transshipment cranes, container ports, loading and unloading areas, railway yards, construction sites.



Multi-purpose IP65 LED Floodlights 60-1,800W (8,000-265,000lm approx.)



JNFL18-400S-4000-A6-ND
60-400W
(9,200-62,600lm approx.)
Single PCB



JNFL23-1200S-4000-A1-ND
500-1800W
(71,200-265,00lm approx.)
Dual PCB

With reinforced glass, Philips LumiLEDs, inventronicssss LED driver, stainless steel 316 bracket and housing painted in protective Akzo Nobel Coastal Painting.

70/80

Philips Lumileds 5050

50K HOURS

-40 to +45°C

DALI

WARM WHITE NATURAL WHITE COOL WHITE

2700K 4000K 6500K

Technical Data

Model No.	Luminous Flux (lm)	LED Power (W)	System Power (W)	Weight (kg)	LED driver Voltage (V)	Beam angle (°)	Working temperature
JNFL10-060S	9,000	60	65	4.2	Inventronics 90-305	Wide range of options: Roundprofile: 20×20° 30×30° 60×60° Square profile: 60×60° 90×90° Asymmetric profile: 45×45° 0×70° 60×135° Ultra-asymmetric profile: 20×125° 25×125° 30×95° 60×140°	-40°C to +45°C
JNFL11-080S	12,100	80	85	5.9			
JNFL12-100S	14,100	100	110	5.9			
JNFL13-150S	22,100	150	115	7.2			
JNFL14-200S	31,300	200	220	7.2			
JNFL15-250S	35,600	250	260	8.2			
JNFL16-300S	44,100	300	210	8.9			
JNFL17-350S	52,600	350	370	11.1			
JNFL18-400S	62,600	400	440	12.3			
JNFL19-500S	71,200	500	540	21.5			
JNFL20-600S	88,200	600	640	22.2			
JNFL21-800S	125,300	800	880	30.1			
JNFL22-1000S	142,400	1,000	1,100	31.5			
JNFL23-1200S	170,800	1,200	1,200	35.5			
JNFL24-1500S	203,000	1,500	1,450	27.4			
JNFL25-1800S	265,000	1,800	1,850	42			

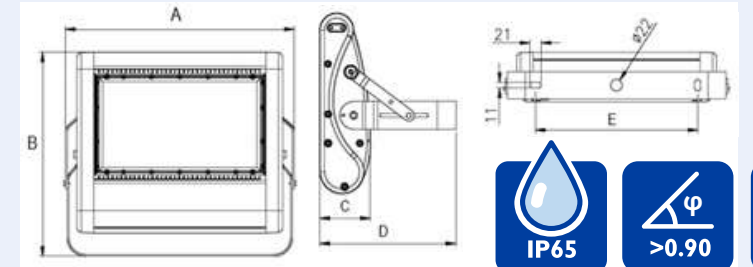
Photometrics

Round Profile	Square Profile	Asymmetric Profile	Ultra-Asymmetric Profile
N020 = Round 20°×20°	S060 = Square 60°×60°	A045 = Single 45°×145°	A020 = Ultra 20°×125°
N030 = Round 30°×30°	S090 = Square 90°×90°	A070 = Single 70°×145°	A025 = Ultra 25°×125°
N060 = Round 60°×60°		A60S = Linear 60°×90°	AU30 = Linear 30°×95°
		A60S = Linear 60°×90°	AU60 = Linear 60°×140°



400 Watt
Natural
White Non-
Dimmable
60°×135°
LED Flood
Light (IP65)

Dimensions



IP65

>0.90

IK07

Additional Information

Dimmable: Non-dimmable. Dimming options available (0-10V/ DALI)
Light colour: Natural white
Colour temperature: 4000K
Lumen per Watt: 140
CRI: >70 (>80 optional)
PF: >0.90
Socket: N/A

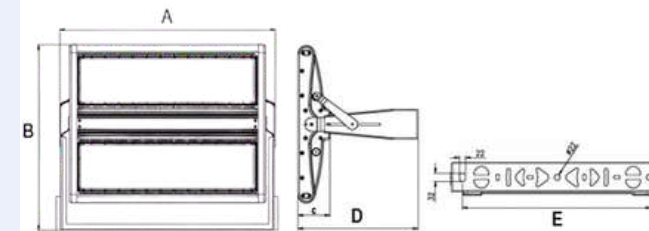
Mounting: Adjustable Bracket.
Prepared at the factory to match the dimensions stated by client

Material: Aluminium (heatsink) / Stainless Steel 316 (bracket) / Tempered Glass



1200 Watt
natural
white non-
dimmable
10°×10°
LED flood
light (IP65)

Dimensions



SKU	Dimensions (mm)				
	A	B	C	D	E
JNFL10-060S	259	367	91	244	150
JNFL11-080S	310	367	91	244	200
JNFL12-100S	310	367	91	244	200
JNFL13-150S	360	367	91	244	250
JNFL14-200S	360	367	91	244	250
JNFL15-250S	411	367	91	244	300
JNFL16-300S	461	367	91	244	350
JNFL17-350S	562	367	91	244	450
JNFL18-400S	663	367	91	244	550
JNFL19-500S					
JNFL20-600S	584	672	116	435	390
JNFL21-800S	788	672	116	435	490
JNFL22-1000S	788	672	116	435	695
JNFL23-1200S	940	672	116	435	695
JNFL24-1500S	788	665	161		
JNFL25-1800S					

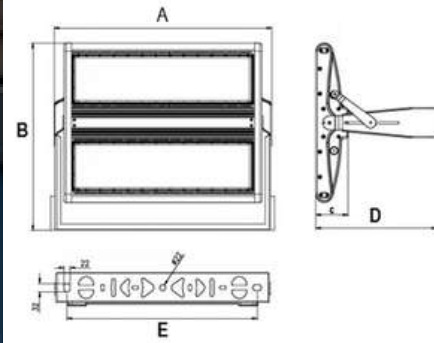




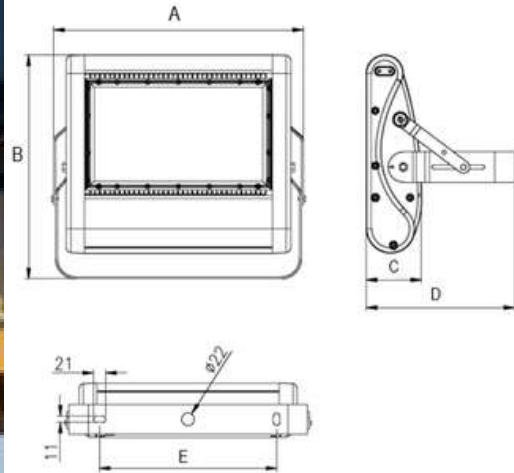
**Multi-purpose IP65 LED Floodlights
60-1,800W (8,000-265,000lm approx.)**



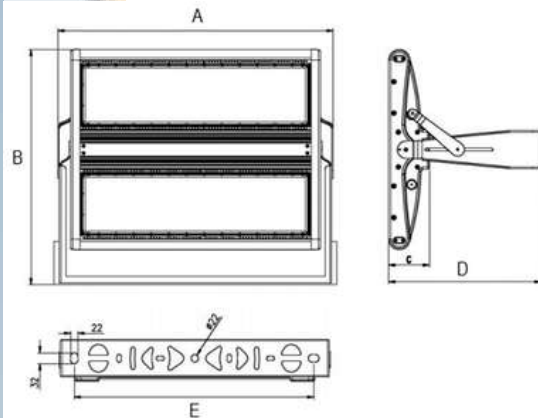
1200W LED Floodlight Dimensions



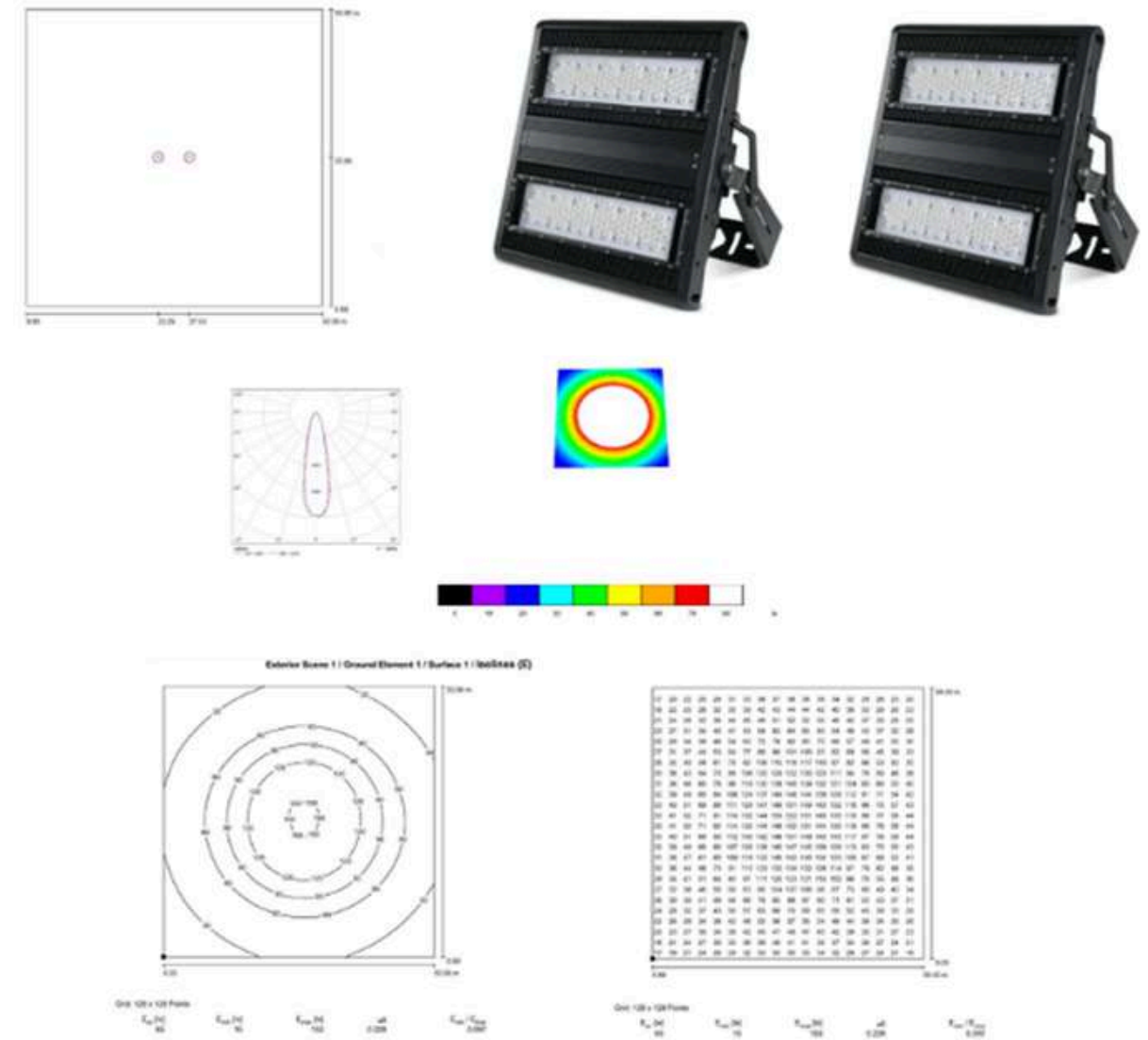
60-1500W LED Floodlight Dimensions



500-1500W LED Floodlight Dimensions



Light Simulation Example





Modular LED Floodlights
8,500-259,400W (8,500-259,400lm approx.)

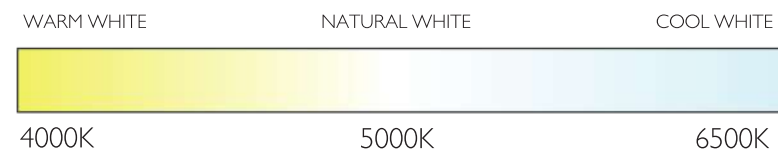


Modular LED flood light
1 Module

Modular LED flood light
2 Modules

Modular LED flood light
3 Modules

Modular LED flood light
4 Module

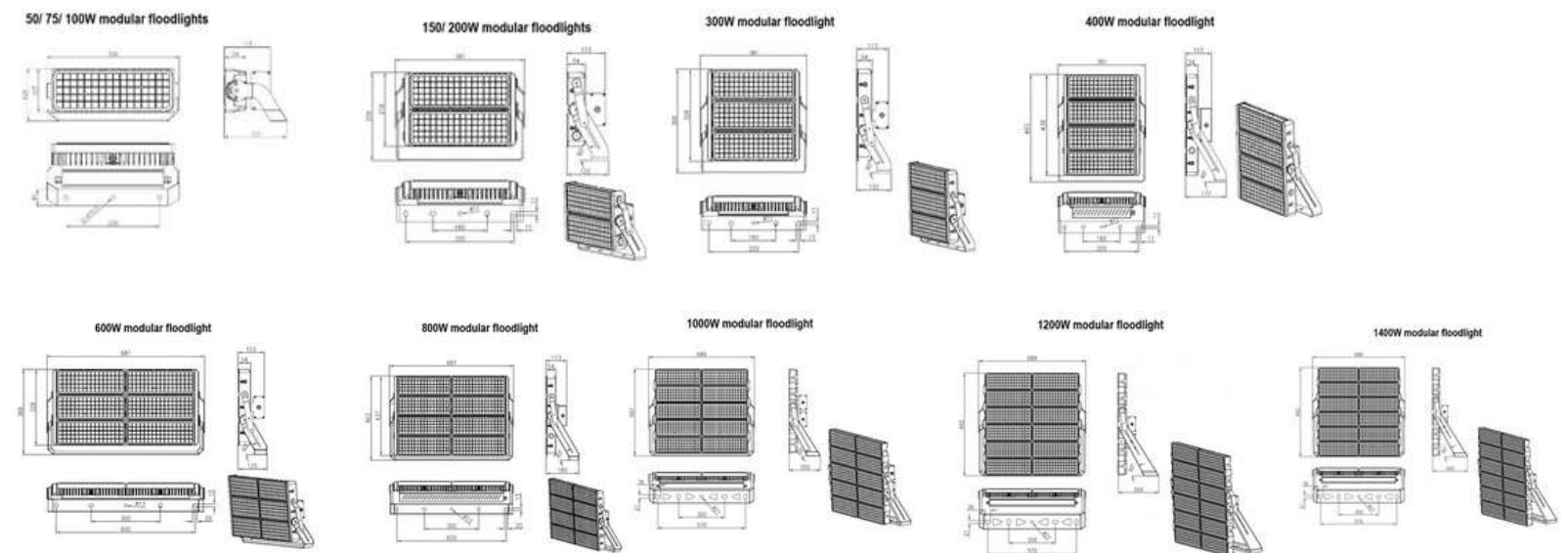


Technical Data

Modular LED floodlights, non-dimmable. Dimming solutions such as 0-10V, DALI available.						
Model	Product	Luminous Fix (Lm)	LED Power (W)	System (W)	LED/LED DRIVER	Beam Angle
JNFLM10-050S	Modular LED flood light of 50W, (1 module, non-dimmable)	8,500	50	55	Philips Lumileds 5050 inventronicsssss 100-305VAC (347-480VAC available)	Wide range of options: round profile: 20°*20° 30°*30° 60°*60° Type I: 30°*100° Type II: 50°*140° Type III: 40°*140° Type IV: 30°*140° TypeV: 140°*140°
JNFLM11-075S	Modular LED flood light of 75W, (1 module, non-dimmable)	12,800	75	82		
JNFLM12-100S	Modular LED flood light of 100W, (1 module, non-dimmable)	17,800	100	110		
JNFLM13-150S	Modular LED flood light of 150W, (2 modules, non-dimmable)	25,500	150	160		
JNFLM14-200S	Modular LED flood light of 200W, (2 modules, non-dimmable)	35,800	200	220		
JNFLM16/4-300S	Modular LED flood light of 300W, (3 modules, non-dimmable)	52,100	300	320		
JNFLM18/6-400S	Modular LED flood light of 400W, 4 modules (non-dimmable)	71,800	400	440		
JNFLM19/5-500S	Modular LED flood light of 500W, (5 modules, non-dimmable)	88,000	500	540		
JNFLM20-600S	Modular LED flood light of 600W, (2x3=6 modules, non-dimmable)	105,000	600	640		
JNFLM21-800S	Modular LED flood light of 600W, (2x3=6 modules, non-dimmable)	143,500	800	880		
JNFLM22-1000S	Modular LED flood light of 1,000W, (2x5=10 modules, non-dimmable)	179,400	1,000	1,100		
JNFLM23-1200S	Modular LED flood light of 1,200W, (2x6=12 modules, non-dimmable)	208,000	1,200	1,280		
JNFLM25-1400W	Modular LED flood light of 1,400W, (2x6=12 modules, non-dimmable)	225,100	1,400	1,440		
JNFLM26-1600W	Modular LED flood light of 1,400W, (2x7=14 modules, non-dimmable)	259,400	1,600	1,660		

Modular LED floodlights with stainless steel 316S bracket and marine coating, non-dimmable. Dimming solutions such as 0-10V, DALI available.						
Model	Product	Lumen Lúmenes (lm)	LED Power (W)	System Power (W)	LED/LED DRIVER	Beam Angle
JNFLM10-050S-316S	Modular LED flood light of 50W, (1 module, non-dimmable)	8,500	50	55	Philips Lumileds 5050 inventronicsssss 100-305VAC (347-480VAC available)	Wide range of options: round profile: 20°*20° 30°*30° 60°*60° Type I: 30°*100° Type II: 50°*140° Type III: 40°*140° Type IV: 30°*140° TypeV: 140°*140°
JNFLM11-075S-316S	Modular LED flood light of 75W, (1 module, non-dimmable)	12,800	75	82		
JNFLM12-100S-316S	Modular LED flood light of 100W, (1 module, non-dimmable)	17,800	100	110		
JNFLM13-150S-316S	Modular LED flood light of 150W, (2 modules, non-dimmable)	25,500	150	160		
JNFLM14-200S-316S	Modular LED flood light of 200W, (2 modules, non-dimmable)	35,800	200	220		
JNFLM16/4-300S-316S	Modular LED flood light of 300W, (3 modules, non-dimmable)	52,100	300	320		
JNFLM18/6-300S-316S	Modular LED flood light of 400W, 4 modules (non-dimmable)	71,800	400	440		
JNFLM19/5-500S-316S	Modular LED flood light of 500W, (5 modules, non-dimmable)	88,000	500	540		
JNFLM20-600S-316S	Modular LED flood light of 600W, (2x3=6 modules, non-dimmable)	105,000	600	640		
JNFLM21-800S-316S	Modular LED flood light of 600W, (2x3=6 modules, non-dimmable)	143,500	800	880		
JNFLM22-1000S-316S	Modular LED flood light of 1,000W, (2x5=10 modules, non-dimmable)	179,400	1,000	1,100		
JNFLM23-1200S-316S	Modular LED flood light of 1,200W, (2x6=12 modules, non-dimmable)	208,000	1,200	1,280		
JNFLM25-1400S-316S	Modular LED flood light of 1,400W, (2x6=12 modules, non-dimmable)	225,100	1,400	1,440		
JNFLM26-1600S-316S	Modular LED flood light of 1,400W, (2x7=14 modules, non-dimmable)	259,400	1,600	1,660		

Dimensions





Modular LED Floodlights
8,500-259,400W (8,500-259,400lm approx.)

Packing Information

Model	Quantity/Carton	Packing Size (mm/inch)	N.W (kg/lb)	G.W (kg/lb)
JNFL10-060S	1	450x400x380 mm/ 17.71x15.75x14.96 in	4.2 kg/ 9.26 lbs	6 kg/ 13.23 lbs
JNFL11-080S	1	460x450x380 mm/ 18.11x17.72x14.96 in	5.9 kg/ 13 lbs	8 kg/ 17.64 lbs
JNFL12-100S	1	460x450x380 mm/ 18.11x17.72x14.96 in	5.9 kg/ 13 lbs	8 kg/ 17.64 lbs
JNFL13-150S	1	560x460x380 mm/ 22x18.11x14.96 in	7.2 kg/ 15.87 lbs	10 kg/ 22.04 lbs
JNFL14-200S	1	560x460x380 mm/ 22x18.11x14.96 in	8.2 kg/18.1 lbs	11 kg/ 24.25 lbs
JNFL15-250S	1	620x440x180 mm/ 24.41x17.32x7.09 in	8.9 kg/ 19.62 lbs	12 kg/ 26.46 lbs
JNFL16-300S	1	640x230x730 mm/ 25.20x9.05x28.74 in	11.1 kg/ 24.47 lbs	13 kg/ 28.66 lbs
JNFL17-350S	1	730x230x930 mm/ 28.74x9.05x36.61 in	12.3 kg/ 27.12 lbs	14 kg/ 30.86 lbs
JNFL18-400S	1	730x230x930 mm/ 28.74x9.05x36.61 in	12.3 kg/ 27.12 lbs	14 kg/ 30.86 lbs
JNFL19-500S	1	730x230x930 mm/ 28.74x9.05x36.61 in	21.5 kg/ 47.40 lbs	24.5 kg/ 54 lbs
JNFL20-600S	1	730x230x930 mm/ 28.74x9.05x36.61 in	22.2 kg/ 48.94 lbs	25 kg/ 55.11 lbs
JNFL21-800S	1	950x880x270 mm/ 37.40x34.65x10.63 in	30.1 kg/ 66.36 lbs	33 kg/ 72.75 lbs
JNFL22-1000S	1	950x880x270 mm/ 37.40x34.65x10.63 in	31.5 kg/ 69.45 lbs	34 kg/ 74.96 lbs
JNFL23-1200S	1	1150x880x270 mm/ 45.28x34.65x10.63 in	35.5 kg/ 78.26 lbs	38.5 kg/ 84.88 lbs
JNFL24-1500S	1		37 kg/ 81.57 lbs	40 kg/ 88.18 lbs
JNFL25-1800S	1		42 kg/ 92.59 lbs	42 kg/ 92.59 lbs

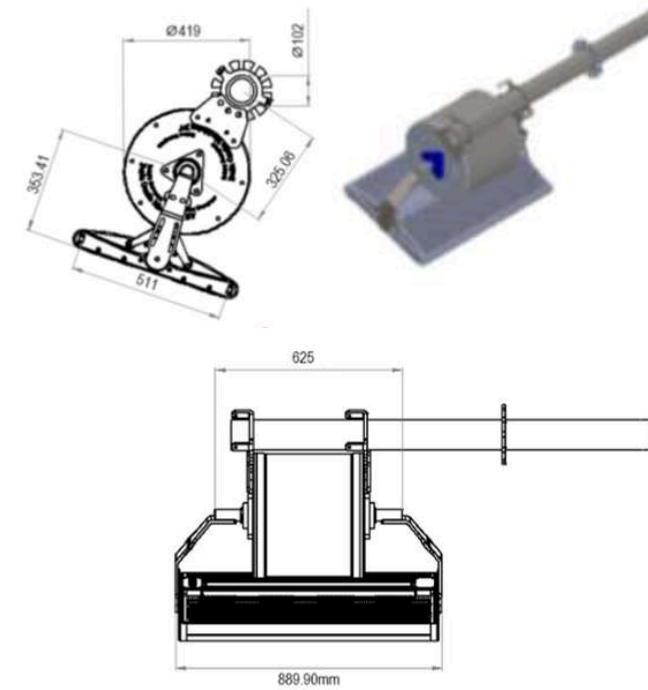




IB Rotary Damper



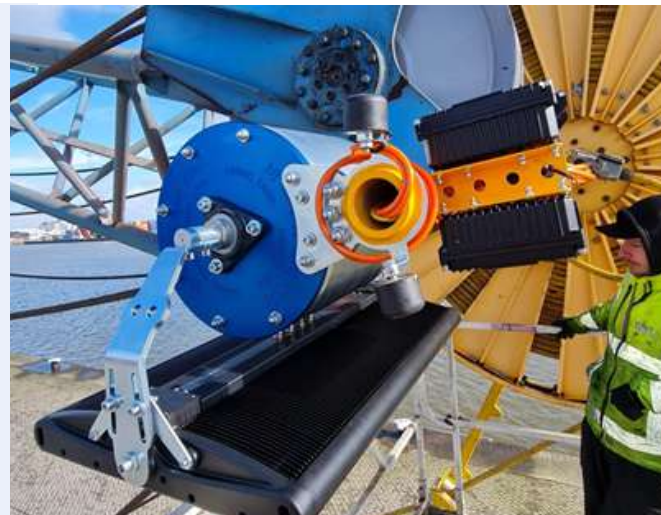
Dimensions



Engineered Stability & Lighting Efficiency for Crane Applications

The IB Rotary Damper offers a range of practical and performance-driven benefits for crane-based LED lighting systems. One of its most significant advantages is cost efficiency—users can expect substantial energy savings, reduced CO₂ emissions, and fewer expenses related to maintenance or fixture replacement. The damper helps protect lighting equipment from damage caused by the abrupt movement of crane booms, thus extending the life span of both the damper and the high-quality LED lights.

Designed to ensure stable illumination, the damper minimizes motion, allowing LED fixtures to hang almost completely still—even during crane operation. This improves visibility for crane drivers, reach stacker operators, truck drivers, and on-site personnel, contributing to a safer working environment both on vessels and around crane zones.



Built with precision, the damper and mounting brackets are 100% designed and manufactured in the Netherlands. Each unit is equipped with end blocks featuring vulcanized stoppers, though under standard conditions, the stoppers are rarely engaged. The 1200W LED floodlight is powered by waterproof LED drivers housed separately from the fixture to enhance heat dissipation and increase the fixture's lifespan. This separate housing also allows easy access for future driver replacements.

The system utilizes durable PUR heavy-duty cables, and the robust brackets can be customized to fit virtually any LED lighting fixture. All lighting aspects and safety requirements are carefully considered during the design and production stages, ensuring a solution that is both practical and performance-optimized.



Navigation Lights



Single-Lens LED Navigation Lights



JN-NA-008S-SB-S
Single Lens
Starboard Light



JN-NA-008S-P-S
Single Lens
Port Light



JN-NAV-008S-MH-S
Single Lens
Masthead Light



JN-NAV-008S-S-S
Single Lens
Stern Light



JN-NAV-008S-AR-S
Single Lens
All-round Light



IMPA Code	Item code	Item type	Color	Visibility	Level Arc	Weight	Power	Input	Output	Working Temp.
370422	JN-NAV-008S-SB-S	Single Lens Starboard Light	Green	3n.m	112.5°	2.9kg	8W	100~240 VAC	24VDC	-30°C to +45°C
370423	JN-NAV-008S-P-S	Single Lens Port Light	Red	3n.m	112.5°	2.9kg	8W	100~240 VAC	24VDC	-30°C to +45°C
370421	JN-NAV-008S-MH-S	Single Lens Masthead Light	White	6n.m	225°	2.9kg	8W	100~240 VAC	24VDC	-30°C to +45°C
370424	JN-NAV-008S-S-S	Single Lens Stern Light	White/ Yellow	3n.m	135°	2.9kg	8W	100~240 VAC	24VDC	-30°C to +45°C
370426 /27/28	JN-NAV-008S-AR-S	Single Lens All-Round Light	Green/ Red/ White	3n.m	360°	2.9kg	8W	100~240 VAC	24VDC	-30°C to +45°C



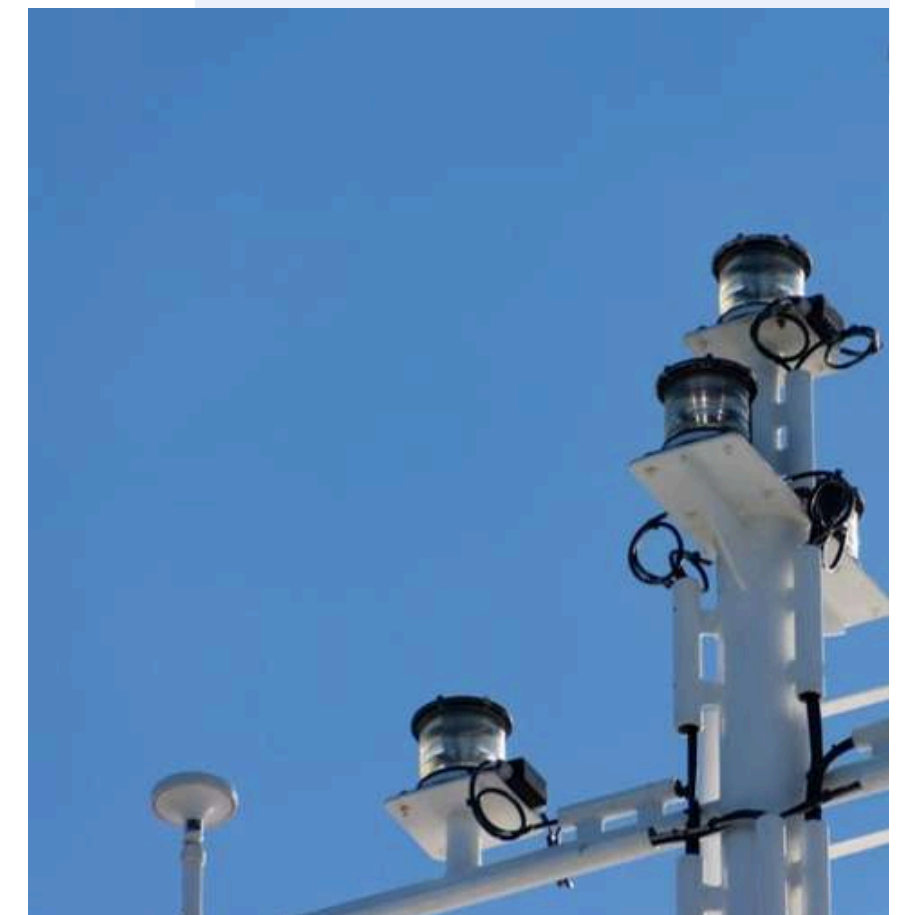
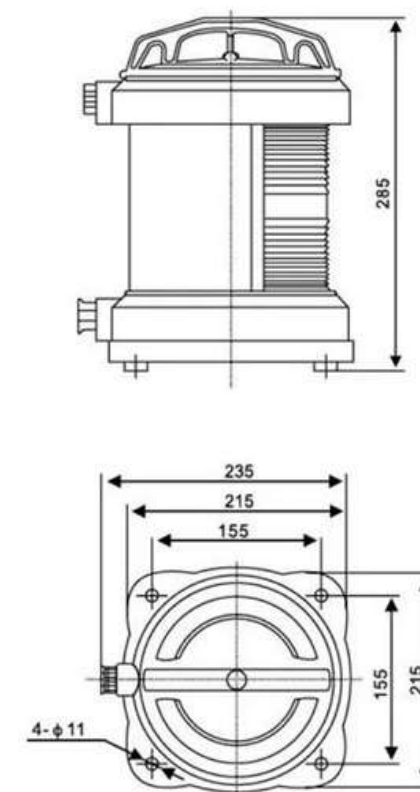
Additional Information

Reliable LED Navigation Lights for Vessels ≥50M

This IP56-rated navigation signal lamp is engineered for vessels 50 metres and above, ensuring dependable signaling during night operations. It features a rugged PA+GF housing, a shatter-resistant polycarbonate lampshade, and a stainless steel lens hood—built to endure harsh marine conditions.

Equipped with high-power LEDs, the lamp delivers excellent visibility and energy efficiency. It complies with maritime visibility standards: 3 nautical miles for port, starboard, stern, and all-round lights, and 6 nautical miles for the masthead light.

Installation is straightforward with its 4-hole mounting system and adaptable cable entry points of $\phi 10 - \phi 12$.



Double-Lens LED Navigation Lights 2*8W



JN-NA-008S-SB-S
Double Lens
Starboard Light



JN-NA-008S-P-S
Double Lens
Port Light



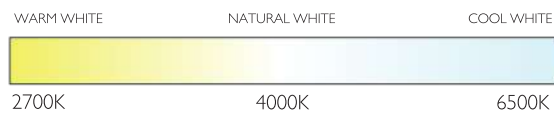
JN-NAV-008S-MH-S
Double Lens
Masthead Light



JN-NAV-008S-S-S
Double Lens
Stern Light



JN-NAV-008S-AR-S
Double Lens
All-round Light



Packing Dimensions

Lens Type	Product size	G.W.
Single lens	30*25*25cm	3kg
Double lens	50*25*25cm	5kg

IMPA Code	Item code	Item type	Color	Visibility	Level Arc	Power	Weight	Input	Output	Working temperature
370422	JN-NAV-016D-SB-D	Double Lens Starboard Light	Green	3n.m	112.5°	2*8W	5.2kg	100~240VAC	24VDC	-30°C to +45°C
370423	JN-NAV-016D-P-D	Double Lens Port Light	Red	3n.m	112.5°	2*8W	5.2kg	100~240VAC	24VDC	-30°C to +45°C
370421	JN-NAV-016D-MH-D	Double Lens Masthead Light	White	6n.m	225°	2*8W	5.2kg	100~240VAC	24VDC	-30°C to +45°C
370424	JN-NAV-016D-S-D	Double Lens Stern Light	White/Yellow	3n.m	135°	2*8W	5.2kg	100~240VAC	24VDC	-30°C to +45°C
370426 /27/28	JN-NAV-016D-AR-D	Double Lens All-Round Light	Green/Red/White	3n.m	360°	2*8W	5.2kg	100~240VAC	24VDC	-30°C to +45°C



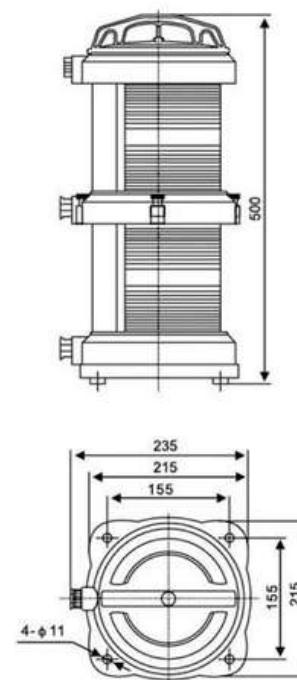
Additional Information

Reliable LED Navigation Lights for Vessels ≥50M

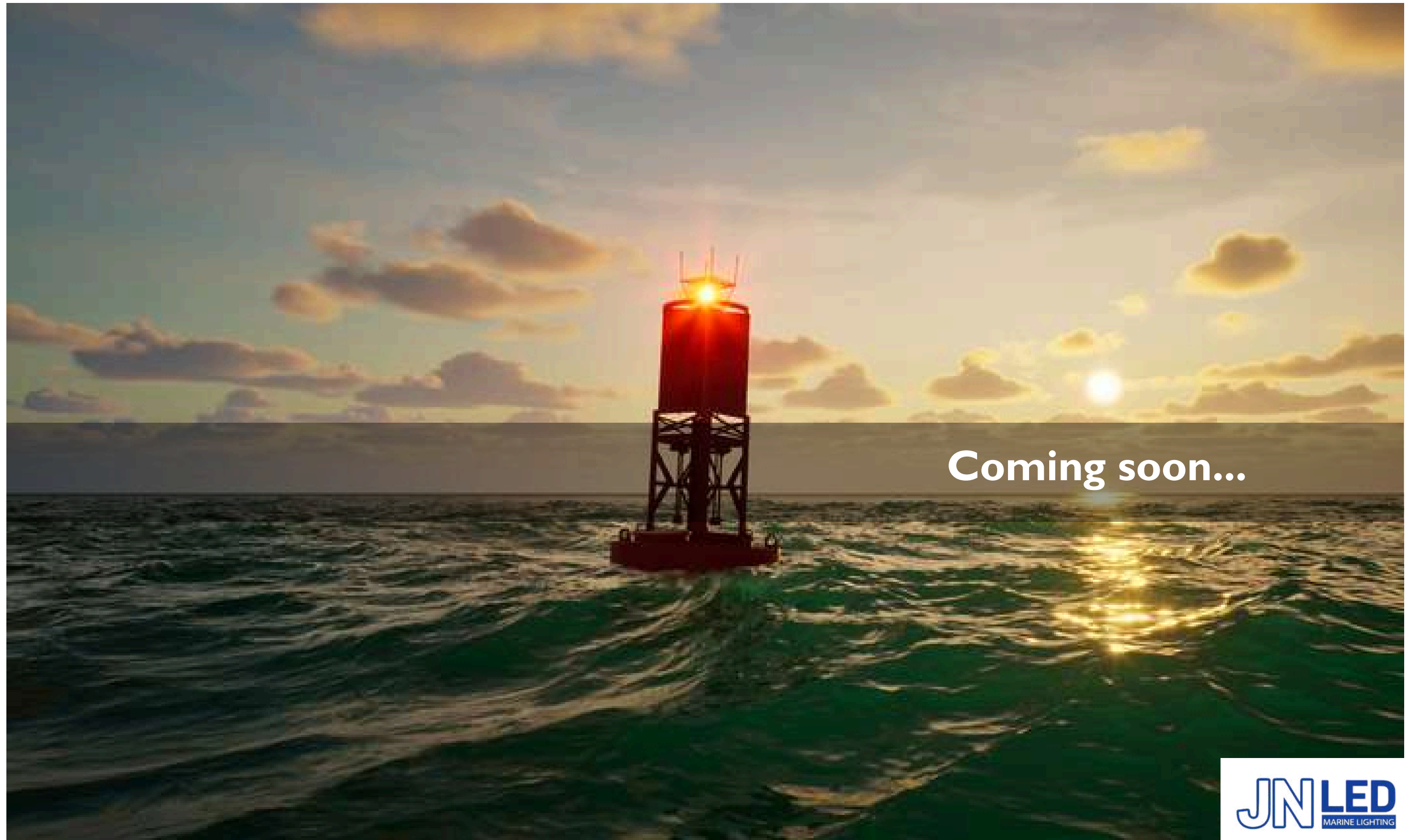
Designed specifically for vessels 50 meters or longer, this LED navigation light ensures reliable signal visibility during night navigation. Its robust construction includes a PA+GF (polyamide with glass fiber) housing, a polycarbonate lampshade, and a stainless steel lens hood—materials selected for their durability in harsh marine conditions.

The fixture is equipped with a high-power LED light source and a four-hole mounting system for secure installation. It supports cable entries of $\phi 10$ – $\phi 12$ mm, allowing for flexible and straightforward setup across various vessel configurations.

Engineered to meet maritime visibility requirements, the light provides a minimum visibility range of 3 nautical miles for port, starboard, stern, and all-round lighting, and 6 nautical miles for masthead lighting. With an IP56 rating, the luminaire is protected against water jets and dust ingress, ensuring dependable performance in demanding offshore environments.



Solar LED Navigation Lights



Coming soon...

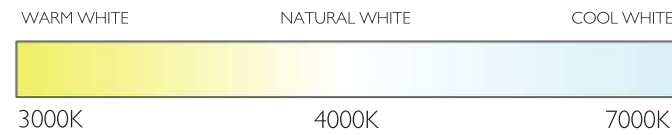


Triproof Lights



JN LED
MARINE LIGHTING

JNTPL-ASeries 20-80W (approx 3,000 - 12,000 lm)



High-Performance LED Batten Lights for Extreme Environments

Designed to perform in extreme temperatures from -40°C to +40°C, the JNTPL-ASeries LED Batten Lights are built for high-demand industrial and outdoor environments. Available in 20W to 80W models with lengths ranging from 30cm to 150cm, these fixtures deliver up to 12,000 lumens of high-quality illumination. Featuring an IK10 impact rating and IP65 protection, the lights boast a durable polycarbonate exterior, an aluminum interior frame, and stainless steel 314 housing on the 80W model for added corrosion resistance.

With a wide 120° beam angle and color temperatures of 3000K, 4000K, and 6000K (CRI >80), the batten lights offer excellent visibility for various applications including warehouses, transport terminals, and tunnel lighting. Powered by Epistar LEDs and designed for 220–240VAC input, each fixture ensures up to 50,000 hours of operation with minimal maintenance—making them a reliable and efficient lighting solution for harsh conditions.

Additional Information

Installation Options: Multiple mounting configurations available

Optics: 120° beam angle

Housing Material: Copper-free aluminium with polycarbonate exterior, aluminium interior frame

Service Life: Up to 50,000 hours

Vibration Rating: IK10

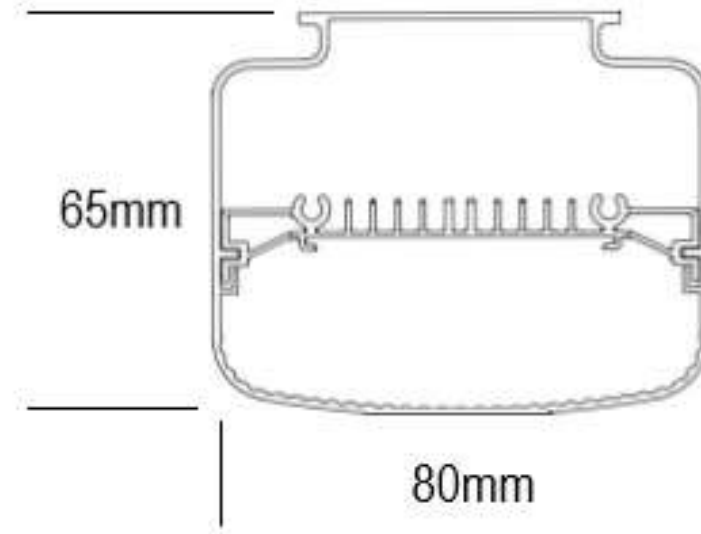
Operating Temp.: -40°C to +40°C

Efficacy: 20-80W

Protection Rating: IP65

Product	Product Category	Luminous Flux (Lm)	LED Power (W)	System Power (W)	LED Light Source	LED Driver Voltage	Beam Angle	Color Temp. (CRI)	Lifetime	Working temperature
JNTPL-ASeries (20W, 30cm)	ASeries LED Batten Light (20W) 30cm	3,000	20	23	Epistar	220-240VAC	120°	3000k/4000K/6000k (>80)	50,000	-40°C to +40°C
JNTPL-ASeries (30W, 60cm)	ASeries LED Batten Light (30W) 60cm		30	33						
JNTPL-ASeries (50W, 120cm)	ASeries LED Batten Light (50W) 120cm	7,500	50	55						
JNTPL-ASeries (80W, 150cm)	ASeries LED Batten Light (80W) 150cm	12,000	80	85						

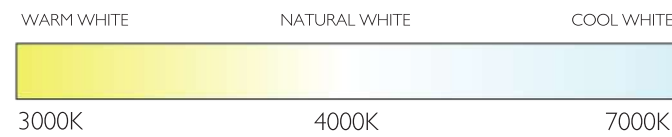
Dimensions



Packing Information

Model	Quantity/Carton	Packing Size (mm/inch)	N.W (kg/lb)	G.W (kg/lb)
JNTPL-ASeries (20W, 30cm)	9pcs	412x270x245 mm; 16.22x10.63x9.65 inches	3 kg/6.61 lbs	4 kg/8.82 lbs
JNTPL-ASeries (30W, 60cm)	9pcs	712x270x245 mm; 28.03x10.63x9.65 inches	5 kg/11.02 lbs	7.5 kg/16.53 lbs
JNTPL-ASeries (50W, 120cm)	9pcs	1312x270x245 mm; 51.65x10.63x9.65 inches	11 kg/24.25 lbs	14.11 kg/31.11 lbs
JNTPL-ASeries (80W, 150cm)	9pcs	1611x270x245 mm; 63.43x10.63x9.65 inches	13.5 kg/29.76lbs	17 kg/37.48 lbs

JNTPL-SS314Series 40-80W (approx 6,000 - 9,000 lm)



Built Tough, Shining Bright – Lighting That Lasts

Introducing the JNTPL-SS314Series LED Batten Lights, the smart choice for industrial and commercial spaces that demand both performance and durability. Crafted with a rugged SS314 stainless steel exterior and aluminium interior frame, these lights are built to endure the toughest conditions — with IK10 impact protection and IP65 weatherproof sealing for total peace of mind. Whether you choose the 40W (60cm) or 60W (120cm) model, you get powerful illumination with luminous outputs of 6,000 lm and 9,000 lm, respectively.

Designed for wide and even coverage, the 120° beam angle ensures no corner is left in the dark. You also get lighting flexibility with 3000K, 4000K, and 6000K color temperatures, all with CRI >80 for excellent color clarity. Backed by Epistar LED technology, a long 50,000-hour lifespan, and operation in extreme temperatures (-40°C to +40°C), this series is engineered for low maintenance and long-term savings. Whether installed in cold storage, car parks, or washdown areas, the SS314Series delivers tough, energy-efficient lighting you can count on.

Additional Information

Installation Options: Multiple mounting configurations available

Optics: 120° beam angle

Housing Material: Copper-free aluminium with polycarbonate exterior, aluminium interior frame

Service Life: Up to 50,000 hours

Vibration Rating: IK10

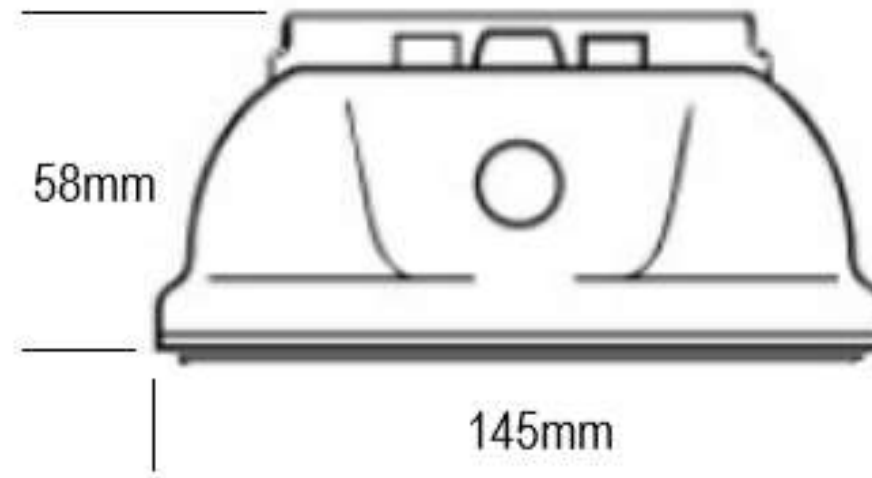
Operating Temp.: -40°C to +40°C

Efficacy: 40-80W

Protection Rating: IP65

Product	Product Category	Luminous Flux (Lm)	LED Power (W)	System Power (W)	LED Light Source	LED Driver Voltage	Beam Angle	Color Temp. (CRI)	Lifetime	Working temperature
JNTPL-SS314Series (40W, 40cm)	SS304Series LED Batten Light (40W) 60cm	6,000	40	45	Epistar	220-240VAC	120°	3000k/4000K/6000k (>80)	50,000	-40°C to +40°C
JNTPL-SS314Series (60W, 120cm)	SS304Series LED Batten Light (60W) 120cm	9,000	80	85						

Dimensions



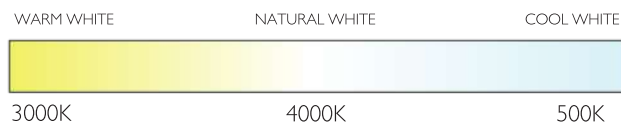
Packing Information

Model	Quantity/Carton	Packing Size (mm/inch)	N.W (kg/lb)	G.W (kg/lb)
JNTPL-SS314Series (40W, 60cm)	9pcs	710x300x290 mm; 27.95x11.81x11.42 inches	16 kg/35.27 lbs	19.8 kg/43.65 lbs
JNTPL-SS314Series (60W, 120cm)	4pcs	1310x300x200 mm; 51.57x11.81x7.87 inches	21 kg/46.3 lbs	25.2 kg/55.56 lbs

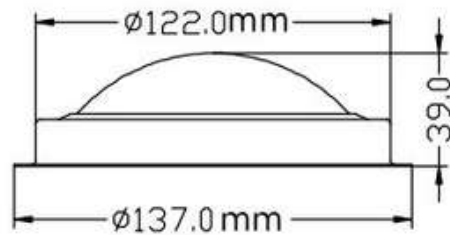
Cabin Lights



JN-Ceiling-SS304
4W



Dimensions



Technical Data

Model No.	LED Type	LED Power (W)	CCT	Working Temp. (°)	IP Grade
JN-Ceiling-SS304-12V	SMD2835	4W	3000K/ 4000K/ 5000K	-20°C to +45°C	IP20
JN-Ceiling-SS304-12V-RW			Red/White Light		
JN-Ceiling-SS304-12V-RW			3000K/ 4000K/ 5000K		

Additional Information

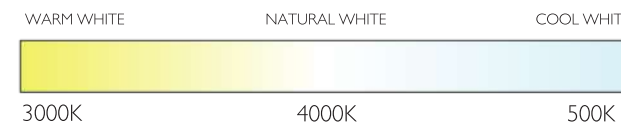
Durable Stainless Steel LED Cabin Light for Modern Marine Interiors

Engineered for reliability and aesthetic appeal, the JN-Ceiling-SS304-12V is a premium surface-mounted LED light from our Cabin Series, purpose-built for compact indoor and marine interiors. Its housing is made from corrosion-resistant SS304 stainless steel, ensuring durability in both humid environments and demanding applications such as yacht cabins, cruise interiors, and modern marine vessels.

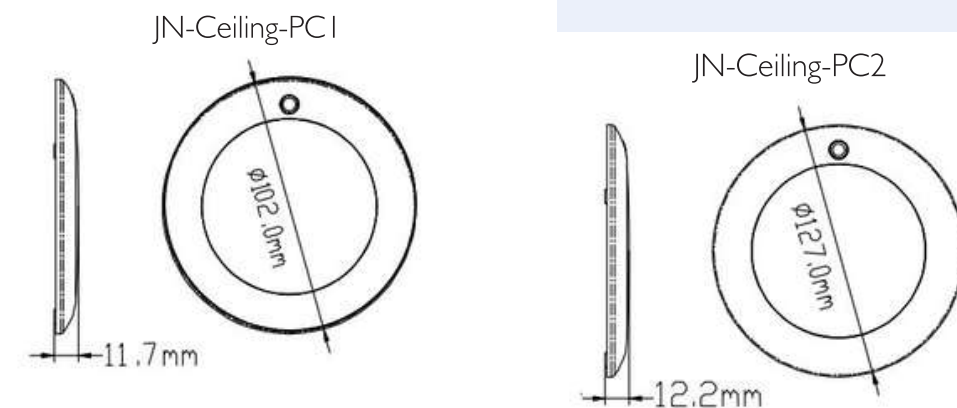
Equipped with energy-efficient SMD2835 LED chips, this fixture delivers a steady 4W output while offering a selection of three color temperatures—3000K, 4000K, and 5000K—to suit a wide range of lighting preferences, from warm ambient tones to crisp, cool whites. Its precision-engineered optics ensure uniform light distribution, reducing harsh shadows and enhancing comfort in small or confined spaces. The JN-Ceiling-SS304-12V is designed to operate efficiently within a temperature range of -20°C to +45°C, making it suitable for use in both tropical and temperate environments. With dimensions of Ø137mm x 39mm in height and a lens diameter of Ø122mm (Ø5-3/8"), it boasts a low-profile design that allows for a clean, streamlined ceiling appearance without sacrificing performance.

With an IP20 rating, this luminaire is best suited for dry, protected indoor spaces, offering safety and long-term performance in residential or commercial marine interiors. Backed by its robust build and reliable LED technology, the JN-Ceiling-SS304-12V is a practical, stylish solution for designers and installers who demand both form and function in their lighting systems.

JN-Ceiling-PC
4W



Dimensions



Technical Data

Model No.	LED Type	LED Power (W)	CCT	Working Temp. (°)	IP Grade
JN-Ceiling-PC1	SMD2835	4W	3000K/ 4000K/ 5000K	-20°C to +45°C	IP20
JN-Ceiling-PC2					

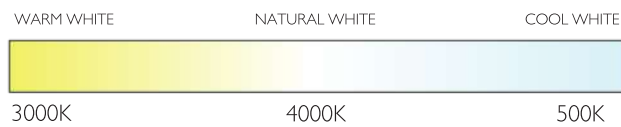
Additional Information

Effortless Lighting, Built-In Control – Sleek Cabin LED Lights with Integrated Switch

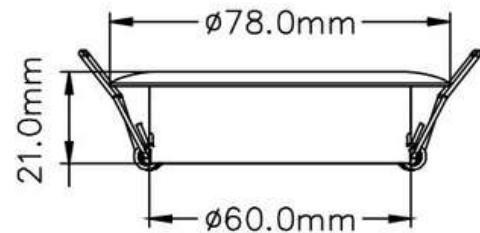
Elevate your interior lighting with the JN-Ceiling-PC1 and JN-Ceiling-PC2, premium LED fixtures from our Cabin Series designed for compact elegance and practical control. Featuring a slim, surface-mounted polycarbonate housing, these lights are both lightweight and durable—perfect for yacht cabins, RVs, and modern living spaces. What makes them truly stand out is the integrated illuminated switch, allowing convenient on/off functionality directly on the fixture. This not only simplifies installation by eliminating the need for wall switches but also adds a subtle, stylish glow when not in use.

Both models deliver 4W of energy-efficient illumination using SMD2835 LEDs, available in 3000K, 4000K, or 5000K to suit your desired ambiance. The PC1 model features a compact Ø102mm x 12mm form, while the PC2 offers a slightly wider Ø127mm size for broader coverage—each designed to blend seamlessly with interior finishes. Rated IP20 and engineered to perform in temperatures from -20°C to +45°C, these fixtures combine modern aesthetics with practical reliability, making them an ideal lighting solution for refined, mobile, or compact environments.

**JN-Ceiling-RGBW, WW
3W**



Dimensions



Technical Data

Model No.	LED Type	LED Power (W)	CCT	Working Temp. (°)	IP Grade
JN-Ceiling-RGBW	SMD2835	34W	3000K/ 4000K/ 5000K	-20°C to +45°C	IP20
JN-Ceiling-WW					

Additional Information

Designed to Disappear, Built to Impress – Sleek Recessed LED Downlights for Premium Interiors

For lighting that blends seamlessly into your space while delivering professional-grade performance, look no further than the JN-Ceiling-RGBW and JN-Ceiling-WW from our Cabin Series. These stainless steel recessed-mounted LED downlights offer a refined, low-profile design that enhances the aesthetics of marine cabins, luxury RVs, or any modern interior where clean lines and discreet fixtures are essential. At just 21mm in height and Ø78mm in diameter (Ø60mm cut-out), they're engineered for tight spaces without compromising light output or style.

Both models are powered by high-efficiency SMD2835 LEDs, delivering a consistent 3W output with selectable color temperatures of 3000K, 4000K, or 5000K—allowing you to fine-tune the ambiance, whether you're creating warmth, clarity, or focus. The JN-Ceiling-WW delivers crisp white light in three shades, while the JN-Ceiling-RGBW brings your environment to life with dynamic color-changing capability, combining RGB effects with white light versatility for mood lighting or accent zones. With a reliable operating range of -20°C to +45°C and an IP20 rating, these fixtures are ideal for protected, dry interiors that demand both elegance and performance.

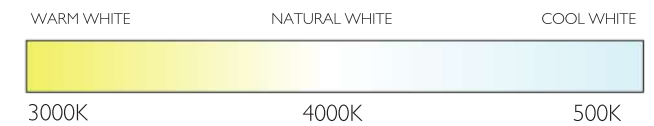
Sleek, subtle, and built to last, the JN-Ceiling downlights are the ideal choice for designers and builders who want maximum lighting impact with minimal visual intrusion.

**JN-CabinSeries I & 2-Reading-WW
1-2W**



JN-Cabin-Series I -Reading_WW

JN-CabinSeries2-Reading-WW



Additional Information

Focus Where You Need It – Sleek, Adjustable LED Reading Lights for Thoughtful Interiors

Bring precision, comfort, and style to your space with the JN-CabinSeries I-Reading-WW and JN-CabinSeries2-Reading-WW—premium adjustable reading lights from our Cabin Series, crafted from high-quality aluminum for a refined, modern look. Designed with flexibility in mind, these lights offer directional control, allowing users to focus illumination exactly where it's needed—ideal for reading nooks, bedside installations, or compact marine and RV environments. Their slim 60mm profile with a height of just 20mm ensures a low-impact footprint while still making a visual statement through clean, functional design.

Powered by energy-efficient SMD2835 LEDs, these fixtures come in two output options—1W for soft, ambient-focused tasks, and 2W for brighter, concentrated lighting. Both models offer selectable color temperatures of 3000K, 4000K, or 5000K, so you can tailor the tone from warm and relaxing to cool and invigorating. Operating reliably in temperatures from -20°C to +45°C and rated IP20, they're ideal for dry, interior use. Whether you're outfitting a modern yacht cabin or a high-end mobile home, the JN-CabinSeries reading lights offer a perfect blend of purposeful lighting and minimalist elegance.

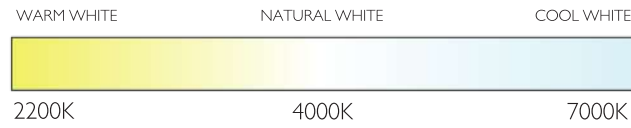
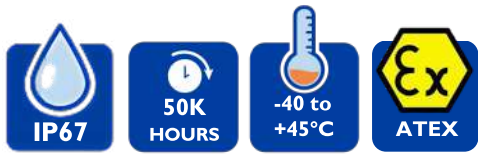
Technical Data

Model No.	LED Type	LED Power (W)	CCT	Working Temp. (°)	Dimensions	IP Grade
JN-CabinSeries1-Reading-WW	SMD2835	1W	3000K/ 4000K/ 5000K	-20°C to +45°C	60mm x H20mm	IP20
JN-CabinSeries2-Reading-WW		2W				

ATEX Series



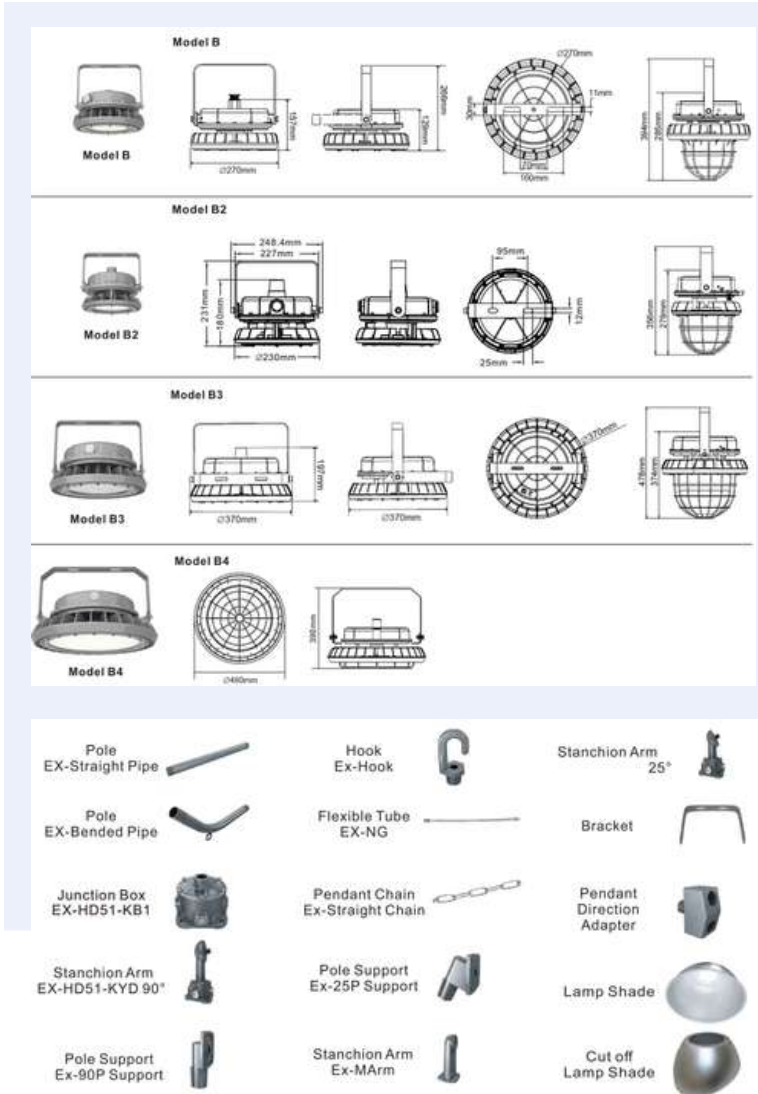
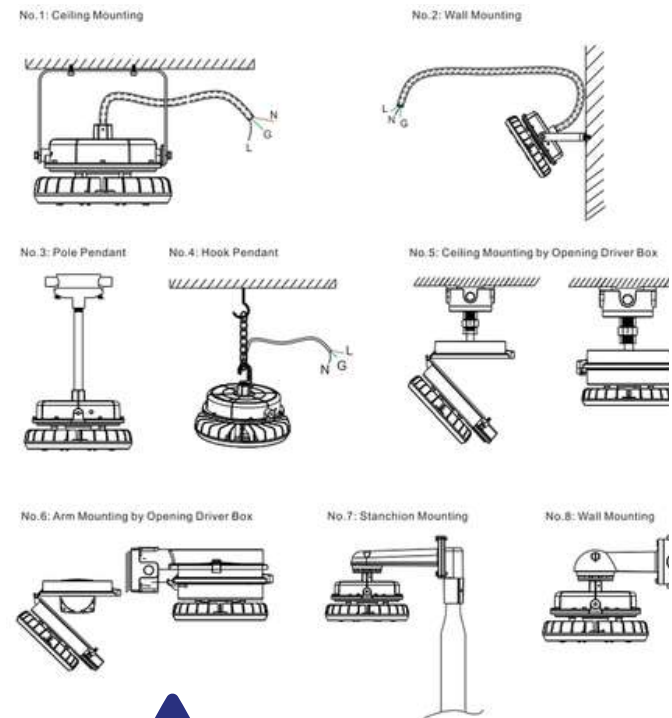
JNHB-ATEX-BSeries
20-400W approx (2,800-56,000Lm approx)
Explosion-Proof LED Luminaire
Reliable Illumination for the Toughest Environments



Additional Information

- Installation Options:** Multiple mounting configurations available
- Optics:** Wide and narrow beam options for uniform illumination
- Housing Material:** Copper-free aluminium with corrosion-resistant frame.
- Service Life:** Up to 50,000 hours (L70)
- Vibration Rating:** 5G high vibration resistance
- Operating Temp.:** -40°C to +45°C (-40°F to +113°F)
- Coating:** Marine-rated powder coating for harsh environments
- Efficacy:** Up to 140 lm/W

Installation methods



Technical Data

Model No.	Luminous Flux (lm)	LED Power (W)	Voltage	Beam angle (°)	LED Driver Voltage (V)	Housing material/ Diffuser Material	Compliance	Color Temp. (CRI)	Working Temp. (°)
JNHB-ATEX-BSeries1	2,800 (20W)/ 5,600lm (40W)	20/ 40W	200-250VAC (Zone 1,2); 120-277/ 277-480VAC (North America)	40/ 60/ 90/ 120°	5 years	Copper Free Aluminium/ Tempered Glass	Esquema 5 RETILAP, UL, IECEx, ATEX, CSA, ABS	2200K-7000K (CRI>70)	-40°C to +45°C
JNHB-ATEX-BSeries2	8,400 (60W)/ 11,200 (80W)	60W/ 80W							
JNHB-ATEX-BSeries3	14,000 (100W)/ 16,000 (120W)/ 21,000 (150W)/ 28,000lm (200W)	100/ 120/ 150/ 200W							
JNHB-ATEX-BSeries4	25,000 (250W)/ 42,000 (300W)/ 49,000 (350W)/ 56,000lm (400W)	250/ 300/ 350/ 400W							

Additional Information

Engineered for Harsh & Hazardous Environments

This marine-rated luminaire features a corrosion-resistant powder coating and is engineered for versatility in hazardous environments. It can function as a spotlight, downlight, tunnel light, floodlight, or wall pack, making it ideal for a wide range of applications including ocean vessel operations, petroleum production and refinery, paint and metal facilities, mining operations, offshore platforms, as well as flour, food, and distilling production sites. Designed to perform in extreme conditions, it excels in areas with high humidity, vapor, dust, and temperature. Its robust protection includes IP66/IP67 ingress ratings, IK08 impact resistance with a glass cover (upgraded to IK10 with a wire guard), 1000-hour salt spray resistance, and 5G vibration tolerance.



ATEX Standard	IECEx Standard	UL Standard	Retilap Standard	Other Certifications
II 2 G Ex eb mb IIC T6...T4 Gb II 2 D Ex tb IIIC T80°C...T100°C Db II 3 G Ex ec IIC T6...T3 Gc II 2 D Ex tb IIIC T85°C...T103°C Db	Ex eb mb IIC T6...T4 Gb Ex tb IIIC T80°C...T100°C Db Ex ec IIC T6...T3 Gc Ex tb IIIC T85°C...T100°C Db	Class I, Division 2, Groups A, B, C, D Class II, Division 1, Groups E, F, G Class II, Division 2, Groups F, G Class III	Esquema 5 RETILAP	UL1598, UL1598A, UL924, ETL, DLC, ABS, NSF, CB

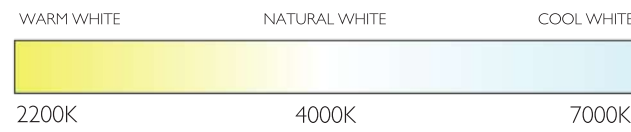
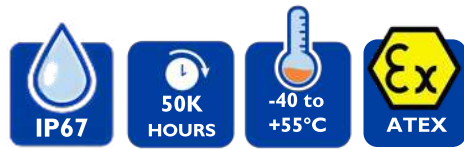
Packing Information

Model	Quantity/ Carton	Packing Size (mm/inch)	N.W (kg/lb)	G.W (kg/lb)
BSeries 1	1	386x330x220mm; 15.19x12.99x8.66inch	4.4 kg/9.70 lbs	5.5 kg/12.13 lbs
BSeries 2	1	360x354x260mm; 14.17x13.94x10.24inch	3.5kg/7.72 lbs	5kg/11.02 lbs
BSeries 3	1	480x460x265mm; 18.90x18.11x10.43inch	8.2 kg/18.08 lbs	10.5 kg/23.15 lbs
BSeries4	1	530x530x300mm; 20.87x20.87x11.81inch	18.8kg/41.45 lbs	21.5 kg/47.40 lbs

Zone	UL Standard				
	0	1	2	20	21 22
For use in	x	x		x	x

JNFL-ATEX-ASeries

80-400W approx (11,200-56,000Lm approx)



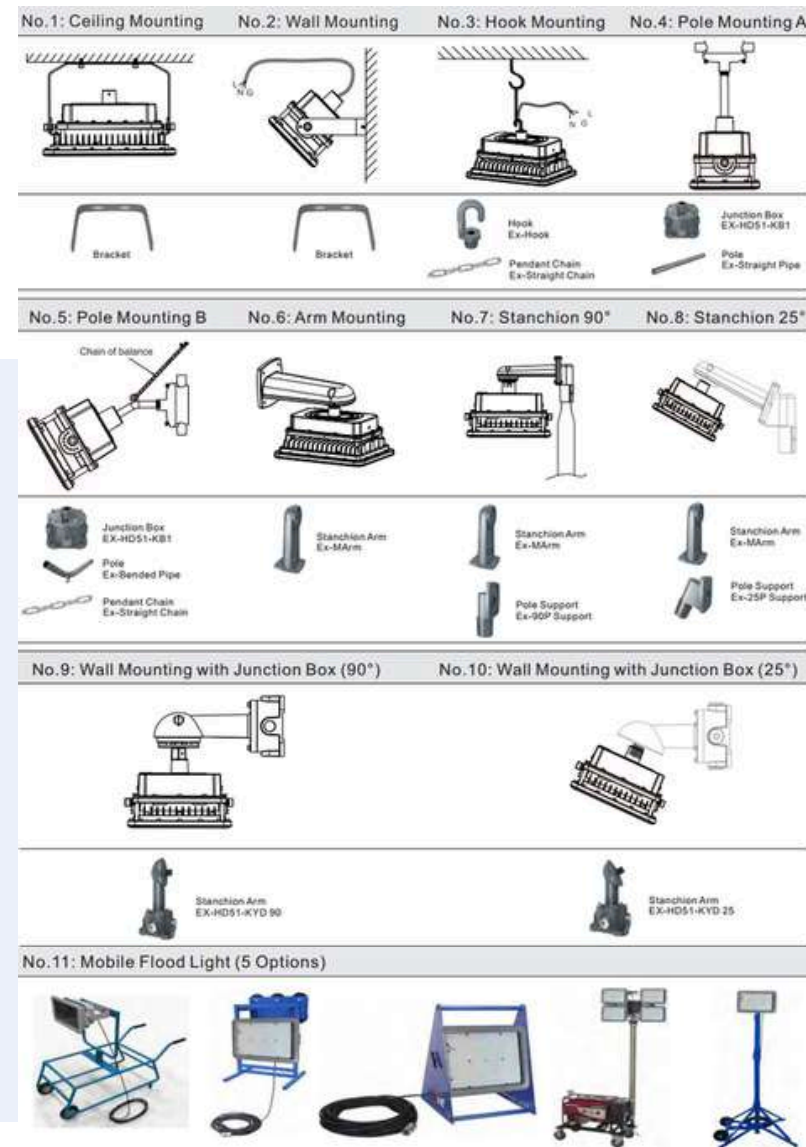
Additional Information

- Installation Options:** Multiple mounting configurations available
- Optics:** Wide and narrow beam options for uniform illumination
- Housing Material:** Copper-free aluminium with corrosion-resistant frame.
- Service Life:** Up to 50,000 hours (L70)
- Vibration Rating:** 5G high vibration resistance
- Operating Temp.:** -40°C to +50°C (-40°F to +122°F)
- Coating:** Marine-rated powder coating for harsh environments
- Efficacy:** Up to 140 lm/W

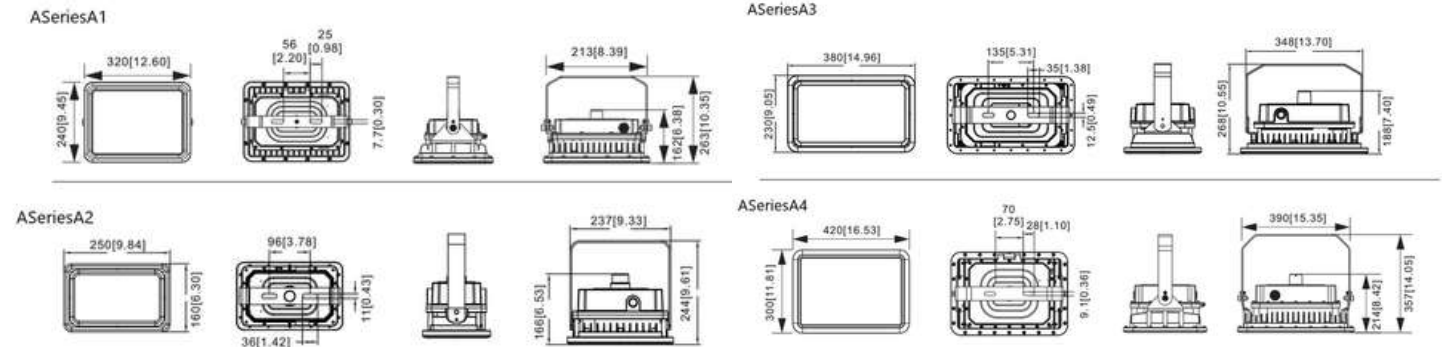
Versatile Lighting for Hazardous and High-Stress Environments

This highly adaptable luminaire is ideal for use as a spotlight, downlight, tunnel light, floodlight, or wall pack, providing reliable general illumination in hazardous locations. It is well-suited for demanding applications such as ocean vessel operations, petroleum production and refining, storage and retail facilities, paint and metal foundries, mining sites, offshore platforms, and flour, food, and distilling production environments. Engineered to perform in areas with high humidity, vapor, dust, and extreme temperatures, it offers robust protection with IP66/IP67 ingress ratings, IK08 impact resistance with a glass cover, and IK10 when paired with a wire guard. Additional durability features include 1000-hour salt spray resistance and tolerance to 5G vibration, ensuring long-term performance even in the harshest industrial settings.

Installation Methods and Accessories



Dimensions



Packing Information

Model	Quantity/Carton	Packing Size (mm/inch)	N.W (kg/lb)	G.W (kg/lb)
A	1	375x340x215mm; 14.76x13.39x8.46inch	6.95 kg/15.32 lbs	7.9 kg/17.42 lbs
A2	1	365x270x305mm; 14.37x10.63x12.01inch	4.15 kg/9.15 lbs	5.3 kg/11.68 lbs
A3	1	485x340x365mm; 19.09x13.39x14.37inch	8.3 kg/18.30 lbs	10.3 kg/22.71 lbs
A4	1	490x460x291mm; 19.29x18.11x11.45inch	15.1 kg/33.29 lbs	17 kg/37.48 lbs

JNFL-ATEX-ASeries
80-400W approx (11,200-56,000Lm approx)

Technical Data

Model No.	Luminous Flux (lm)	LED Power (W)	Voltage	Beam angle (°)	LED driver Voltage (V)	Housing material/ Diffuser Material	Compliance	Color Temp. (CRI)	Working Temp. (°)
JNFL-ATEX-ASeriesA1	11,200 (80W)/ 14,000 (100W)	80/ 100W	200- 250VAC (Zone 1,2); 120- 277/ 277- 480VAC (North America)	40/ 60/ 90/ 120°	5 years	Copper Free Aluminium/ Tempered Glass	Esquema 5 RETILAP, UL, IECEX, ATEX, CSA, ABS	2200K- 7000K (CRI>70)	-40°C to +55°C
JNFL-ATEX-ASeriesA2	2,800 (20W)/ 5,600 (40W)/ 8,400 (60W)	20/ 40/ 60W							
JNFL-ATEX-ASeriesA3	21,000 (150W)/ 25,000 (180W)/ 28,000 (200W)	150/ 180/ 200W							
JNFL-ATEX-ASeriesA4	35,000 (250W)/ 42,000 (300W)/ 56,000 (400W)	250/ 300/ 400W							

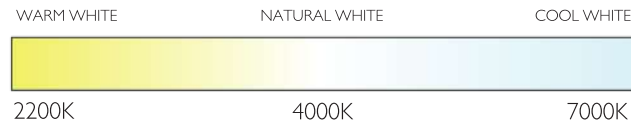
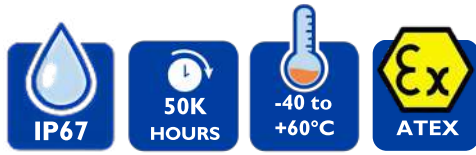
3 Different Shapes



ATEX Standard		II 2 G Ex eb mb IIC T6...T4 Gb II 2 D Ex tb IIIC T80°C...T100°C Db II 3 G Ex ec IIC T6...T3 Gc II 2 D Ex tb IIIC T85°C...T103°C Db
IECex Standard		Ex eb mb IIC T6...T4 Gb Ex tb IIIC T80°C...T100°C Db Ex ec IIC T6...T3 Gc Ex tb IIIC T85°C...T100°C Db
UL Standard		Class I, Division 2, Groups A, B, C, D Class II, Division 1, Groups E, F, G Class II, Division 2, Groups F, G Class III
Retilap Standard		Esquema 5 RETILAP
Other Certifications		UL1598, UL1598A, UL924, ETL, DLC, ABS, NSF, CB



JNHB-ATEX-CSeries 100-280W approx (13,500-37,800lm approx)



Additional Information

Installation Options: Multiple mounting configurations available

Optics: Wide and narrow beam options for uniform illumination

Housing Material: Copper-free aluminium with corrosion-resistant frame.

Service Life: Up to 50,000 hours (L70)

Vibration Rating: 5G high vibration resistance

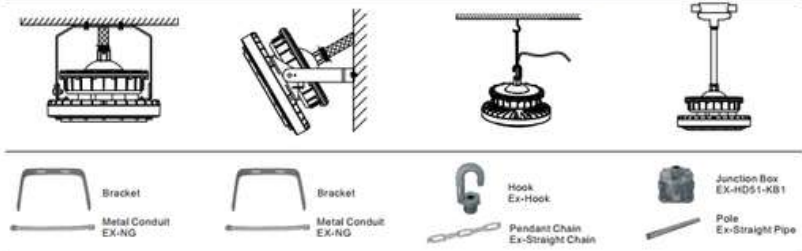
Operating Temp.: -40°a-60°C to +50°C (IECex: -40°C to +80°C)

Coating: Marine-rated powder coating for harsh environments

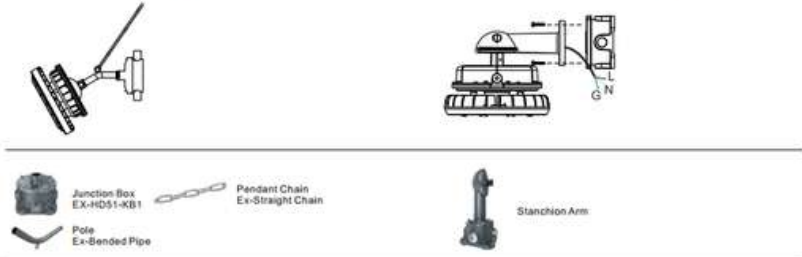
Efficacy: Up to 140 lm/W

Installation Methods and Accessories

No.1: Ceiling Mounting No.2: Wall Mounting No.3: Hook Mounting No.4: Pole Mounting A



No.5: Pole Mounting B No.6: Wall Mounting with Junction Box



Optimised for Demanding Industrial and Marine Environments

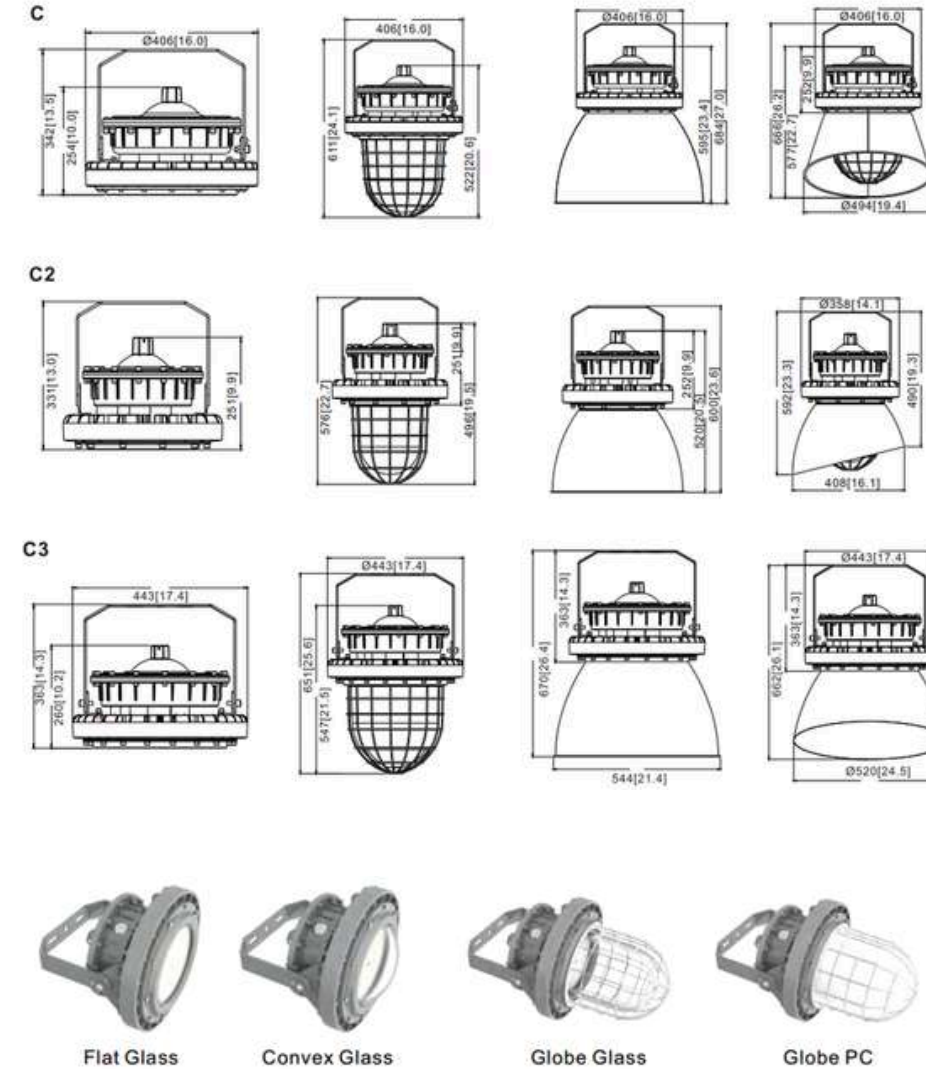
This rugged luminaire is engineered with a marine-rated powder coating, ensuring exceptional resistance to corrosion and harsh environmental exposure. Its versatile design allows it to function as a spotlight, downlight, tunnel light, floodlight, or wall pack, making it suitable for a wide range of hazardous applications. These include ocean vessel operations, petroleum production and storage, paint and metal facilities, mining sites, offshore platforms, and food, flour, and distilling production areas. Built to thrive in high-humidity, high-vapor, high-dust, and high-temperature locations, this luminaire delivers dependable performance under extreme conditions. It is rated IP66/IP67 for water and dust ingress, IK08 with a glass cover, and IK10 when equipped with a wire guard. Additional protection features include 1000-hour salt spray resistance and 5G vibration tolerance. For critical environments, an emergency back-up battery option is also available.

Technical Data





Model No.	Luminous Flux (lm)	LED Power (W)	Voltage	Beam angle (°)	LED driver Voltage (V)	Housing material/ Diffuser Material	Compliance	Color Temp. (CRI)	Working Temp. (°)
JNHB-ATEX-CSeries1	13,500 (100W)/ 20,200lm (150W)	100/ 150W	120-277/ 150- 250VAC/ 12- 48VDC	40/ 60/ 90/ 120°	5 years	Copper Free Aluminium/ Tempered Glass	Esquema 5 RETILAP, ETL/UL15 98/UL1598A /UL844 /IECEX/AT EX/ABS/CB/ CSA	2200K- 7000K (CRI>70)	-40°C to +60°C (IeCex: -40°C to +80°C)
JNHB-ATEX-CSeries2	2,700 (20W)/ 5,400 (40W)/ 8,100 (60W)/ 10,800lm (80W)	20/ 40/ 60/ 80W							
JNHB-ATEX-CSeries3	27,000 (200W)/ 33,500 (250W)/ 37,800lm (280W)	200/ 250/ 280W							

Dimensions

Unit: mm[inch]



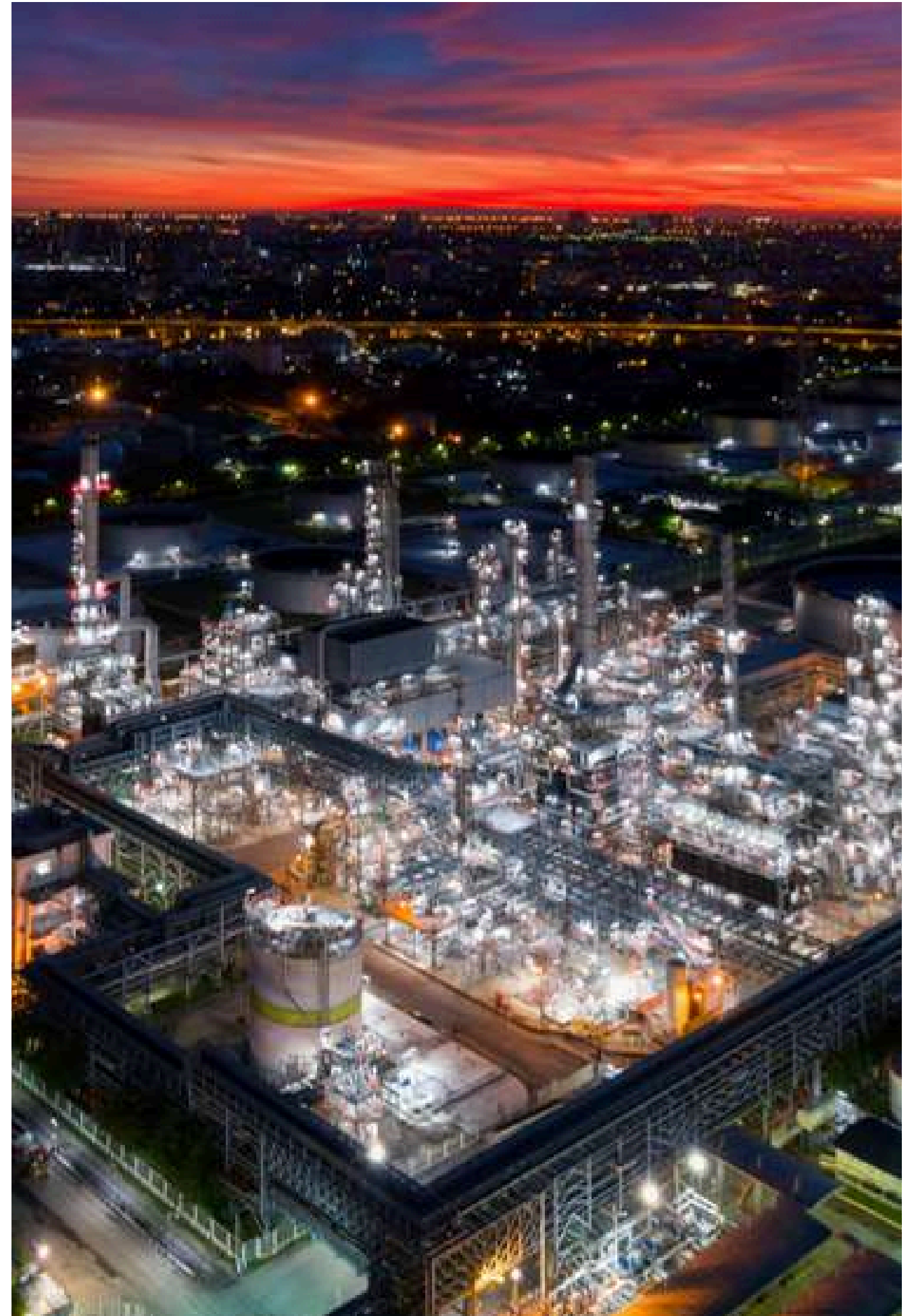
JNHB-ATEX-CSeries
100-280W approx (13,500-37,800Lm approx)

ATEX Standard		II 2 G Ex eb mb IIC T6...T4 Gb II 2 D Ex tb IIIC T80°C...T100°C Db II 3 G Ex ec IIC T6...T3 Gc II 2 D Ex tb IIIC T85°C...T103°C Db
IECex Standard		Ex eb mb IIC T6...T4 Gb Ex tb IIIC T80°C...T100°C Db Ex ec IIC T6...T3 Gc Ex tb IIIC T85°C...T100°C Db
UL Standard		Class I, Division 2, Groups A, B, C, D Class II, Division 1, Groups E, F, G Class II, Division 2, Groups F, G Class III
Retilap Standard		Esquema 5 RETILAP
Other Certifications		UL1598, UL1598A, UL924, ETL, DLC, ABS, NSF, CB

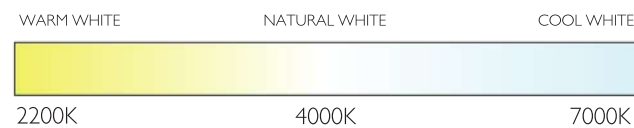
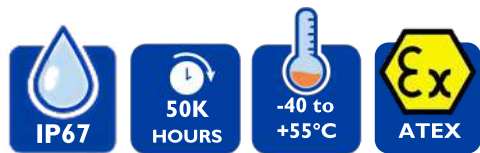
	UL Standard					
Zone	0	1	2	20	21	22
For use in		X	X		X	X

Packing Information

Model	Quantity/Carton	Packing Size (mm/inch)	N.W (kg/lb)	G.W (kg/lb)
CSeries 1	1	479x470x345mm; 18.50x18.50x13.58inch	14 kg/30.86 lbs	16 kg/35.27 lbs
CSeries 2	1	550x530x360mm; 21.65x20.47x14.17inch	17.4 kg/38.36 lbs	19 kg/41.69 lbs
CSeries 3	1	555x555x345mm; 21.85x21.85x13.58inch	21 kg/46.30 lbs	25 kg/55.12 lbs



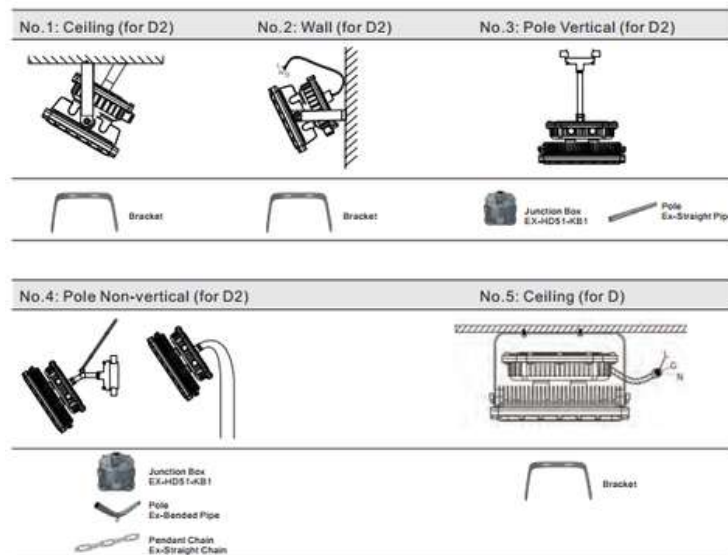
JNFL-ATEX-D Series 20-200W approx (2,700-27,500lm approx)



Additional Information

- Installation Options:** Multiple mounting configurations available
- Optics:** Wide and narrow beam options for uniform illumination
- Housing Material:** Copper-free aluminium with corrosion-resistant frame
- Service Life:** Up to 50,000 hours (L70)
- Vibration Rating:** 5G high vibration resistance
- Operating Temp.:** -40°C to +55°C (-40°F to +131°F)
- Coating:** Marine-rated powder coating for harsh environments
- Efficacy:** Up to 140 lm/W
- Dimming:** 0-10V dimming compatible

Installation Methods and Accessories



Reliable Performance in Demanding Industrial Environments

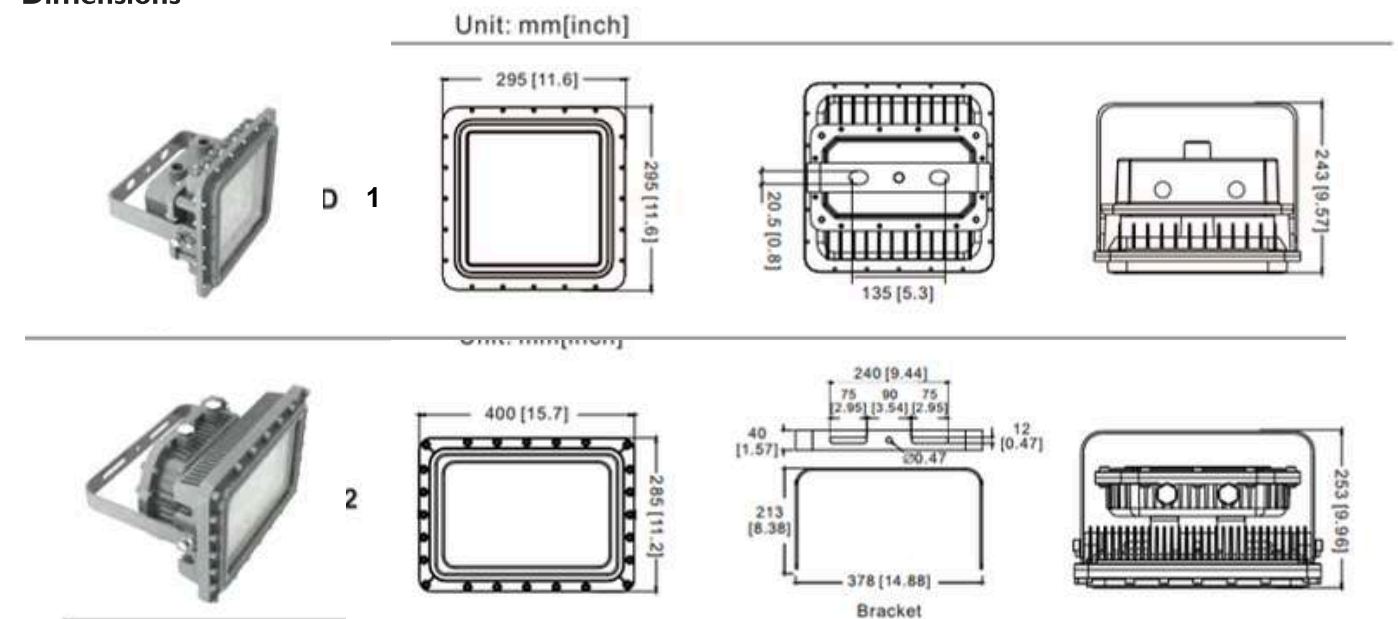
Designed for maximum adaptability, this versatile luminaire can be configured as a spotlight, downlight, tunnel light, floodlight, or wall pack—making it an ideal solution for general illumination across a wide range of hazardous locations. From ocean vessel operations and petroleum production to refineries, metal foundries, mining sites, and offshore platforms, this fixture meets the intense lighting demands of the most rigorous environments. It is equally well-suited for facilities handling flour, fine particles, food, paint, and distilled goods, where safety and visibility are critical.

Its robust construction allows it to perform reliably in areas with high humidity, vapor, dust, and extreme temperatures. Certified with protection ratings of IP66 and IP67, the luminaire also features IK08 impact resistance when paired with a glass cover and IK10 when used with a wire guard. Additionally, it withstands 1,000 hours of salt spray testing and meets 5G vibration resistance standards, ensuring long-term durability in corrosive and high-stress conditions. For added safety, the unit is available with an emergency backup battery to maintain essential illumination during power interruptions.

Technical Data

Model No.	Luminous Flux (lm)	LED Power (W)	Voltage	Beam angle (°)	LED driver Voltage (V)	Housing material/ Diffuser Material	Compliance	Color Temp. (CRI)	Working Temp. (°)
JNFL-ATEX-D Series1	2,700 (20W)/ 5,400 (40W)/ 8,100 (60W)/ 10,800lm (80W)	20/ 40/ 60/ 80W	100-277VAC; 200-480VVA C; 12-48VDC	40/ 60/ 90/ 120°	5 years	Copper Free Aluminium/ Tempered Glass	Esquema 5 RETILAP, ETL/ UL1598/ UL1598A/ UL1598A8/ UL844/ IECEx/ATEX/ ABS/CB/CSA	2200K-7000K (CRI>70)	-40°C to +55°C
JNFL-ATEX-A1-D Series2	13,500 (100W)/ 20,500 (150W)/ 27,500lm (200W)	100/ 150/ 200W							

Dimensions

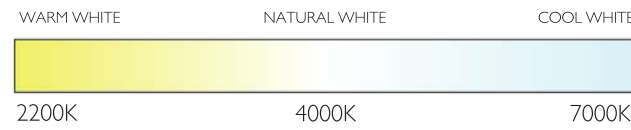
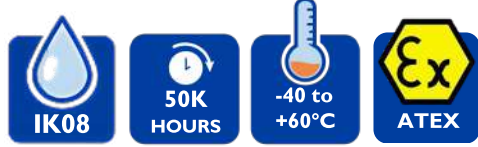


UL Standard		Class I, Division 1, Groups C, D Class I, Division 2, Groups A, B, C, D Class II, Division 1, Groups E, F, G Class II, Division 2, Groups F, G Class III	Other Certifications	UL1598, UL1598A, UL924, ETL, DLC, ABS, CSA, CB																		
Retilap Standard		Esquema 5 RETILAP	Zone For use in	<table border="1"> <thead> <tr> <th colspan="6">UL Standard</th> </tr> <tr> <th>0</th> <th>1</th> <th>2</th> <th>20</th> <th>21</th> <th>22</th> </tr> </thead> <tbody> <tr> <td>X</td> <td>X</td> <td></td> <td>X</td> <td>X</td> <td>X</td> </tr> </tbody> </table>	UL Standard						0	1	2	20	21	22	X	X		X	X	X
UL Standard																						
0	1	2	20	21	22																	
X	X		X	X	X																	

Packing Information

Model No.	Quantity/Carton	Packing Size (mm/inch)	N.W (kg/lb)	G.W (kg/lb)
D Series1	1	502x376x350mm; 19.76x14.80x13.78inch	17.9 kg/39.46 lbs	19.5 kg/42.99 lbs
D Series2	1	400x385x335mm; 15.75x15.16x13.19inch	7 kg/15.43 lbs	9.5 kg/20.94 lbs

JN-T-ATEX-OSeries 10-40W approx (1,200-4,800Lm approx)



Additional Information

- Installation Options:** Multiple installation options
- Cable Entry:** Fits M25, M20, NPT 1/2", or 3/4" cable glands
- Protection:** Metal guard prevents damage
- Impact:** IK08 rated
- Housing:** Copper-free aluminium, corrosion-resistant and cool-running
- Sealing:** Waterproof and dust-proof; no maintenance needed
- Glass:** Heat-resistant tempered glass

Installation Methods, Accessories and Spare Parts



Compact Versatility for Hazardous and High-Stress Settings

Designed for both flexibility and performance, this compact luminaire functions seamlessly as a tunnel light, spotlight, downlight, floodlight, or wall pack—making it an excellent choice for general illumination in hazardous locations. It is ideal for a range of demanding environments, including ocean vessels, offshore platforms, and petroleum loading or transportation sites. Additional suitable applications include refineries, storage and retail fuel facilities, paint plants, metal foundries, mining operations, flour and fine particle processing, and food or distilling production.

Engineered for resilience, this luminaire also performs reliably in locations with high humidity, vapor, dust, and extreme temperatures. With a robust IP66 rating for ingress protection and IK08 certification for impact resistance, it delivers long-lasting durability in the harshest industrial conditions.

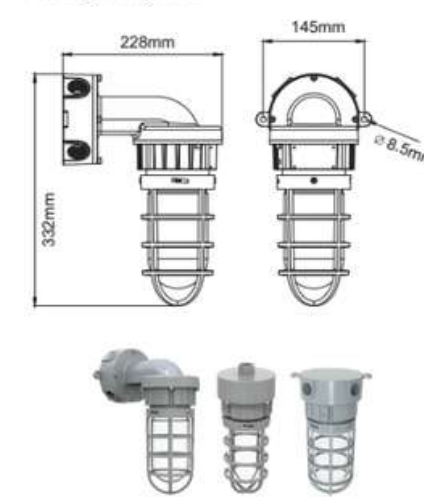


Technical Data

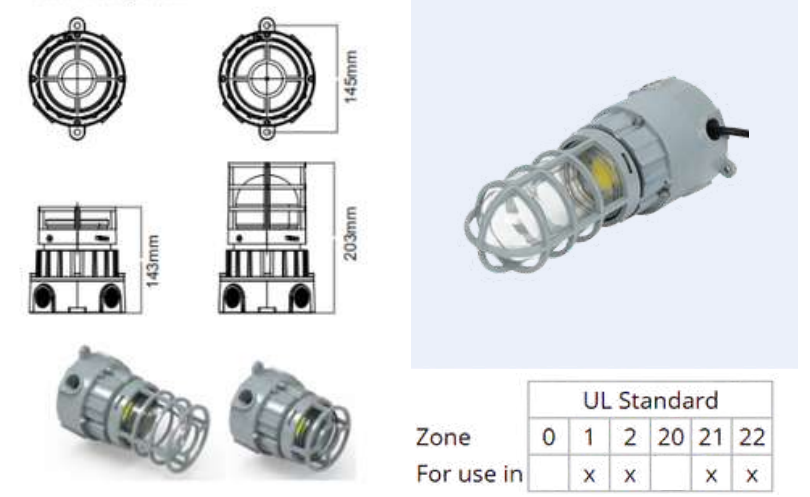
Model No.	Luminous Flux (lm)	LED Power (W)	Voltage	Beam angle (°)	LED driver Voltage (V)	Housing material/ Diffuser Material	Compliance	Color Temp. (CRI)	Working Temp. (°)
JN-T-ATEX-OSeries	OSeries 1: 1,200 (10W) OSeries 2: 2,400 (20W) OSeries 3: 3,600 (30W) OSeries 4: 4,800 (40W)	10/ 20/ 30/ 40W	100-277VAC; 50/60Hz	120°	5 years	Copper Free Aluminium/ Tempered Glass	Esquema 5 RETILAP, ETL/ UL1598/ UL1598A/ UL 844/ IECEx/ ATEX/ ABS/ CB/ CSA	2200K-7000K (CRI>70)	Normal: T6/T80°C: -40°C to +25°C; T5/T95°C: -40°C to +40°C T4/T130°C: -40°C to +60°C Emergency: T4/T130°C: -10°C to +40°C

Dimensions

With globe guard:



With Flat guard: Thickness of diffuser: 4.5mm



ATEX Standard		II 2 G Ex eb mb IIC T6/T5/T4 Gb II 2 D Ex tb IIIC T80°C/T95°C/T130°C Db	UL Standard		Class I, Division 2, Groups A, B, C, D Class II, Division 1, Groups E, F, G Class II, Division 2, Groups F, G Class III
IECex Standard		Ex eb mb IIC T6/T5/T4 Gb Ex tb IIIC T80°C/T95°C/T130°C Db	Retilap Standard		Esquema 5 RETILAP

Packing Information

Model	Image	Quantity/ Carton	Packing Size (mm/inch)	N.W (kg/lb)	G.W (kg/lb)
OSeries 1		1	370x270x240mm; 14.56x10.63x9.45inch	2.71 kg/5.95 lbs	3.20 kg/7.06 lbs
OSeries 2		1	420x340x240mm; 16.54x13.39x9.45inch	3.7 kg/8.16 lbs	4.20kg/9.26 lbs
OSeries 3		1	420x340x240mm; 10.43x14.96x10.04inch	2.0 kg/4.41 lbs	2.5 kg/5.51 lbs

JN-C-ATEX-CanopySeries
40-150W approx (5,600-21,000Lm approx)

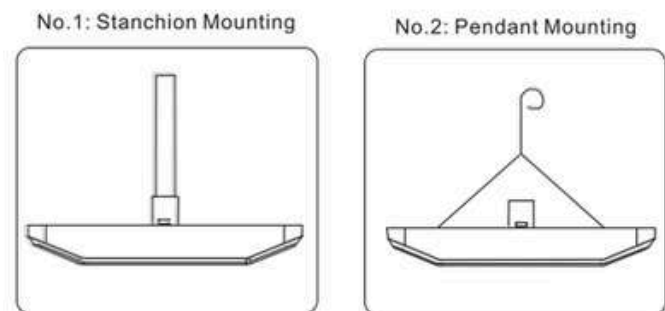


Additional Information

Sleek Design, Powerful Performance

With a slim and compact profile, this luminaire is purpose-built for demanding industrial settings, including chemical plants, metal foundries, and the food and alcohol production industries. Despite its minimal footprint, it delivers exceptional performance—boasting a high luminous efficacy of up to 140 lm/W for energy-efficient, high-output illumination where it's needed most.

Installation Methods, Accessories and Spare Parts



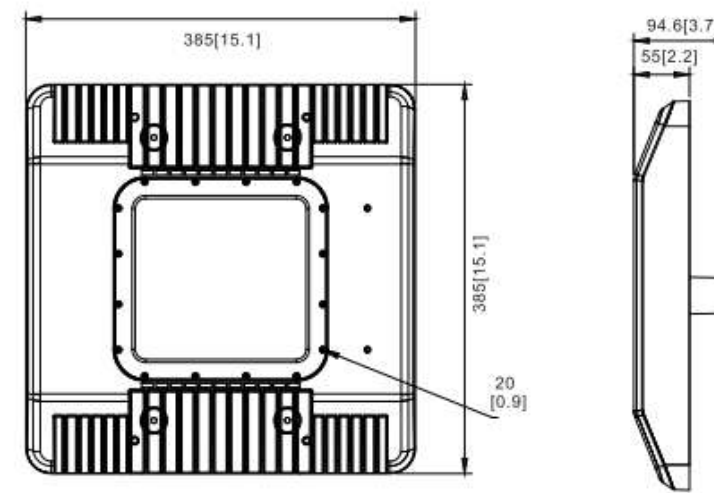
No.	Parts	Parts Photo	Mounting Type	Qty
1	Pole Ex-Straight Pipe		01	1
2	Pendant Chain Ex-Straight Chain		02	1

Technical Data

Model No.	Luminous Flux (lm)	LED Power (W)	Voltage	Beam angle (°)	LED driver Voltage (V)	Housing material/ Diffuser Material	Compliance	Color Temp. (CRI)	Working Temp. (°)
JN-C-ATEX-CanopySeries	5,600 (40W)/ 8,400 (60W)/ 11,200 (80W)/ 21,000lm (120W)	40/ 60/ 80/ 100/ 120/ 150W	100-277VAC; 50/60Hz	120°	5 years	Copper Free Aluminium/ Tempered Glass	Esquema 5 RETILAP, UL844/ IECEx/ ATEX	2200K-7000K (CRI>70)	Normal: T6/T80°C: -40°C to +25°C; T5/T95°C: -40°C to +40°C T4/T130°C: -40°C to +60°C Emergency: T4/T130°C: -10°C to +40°C

Dimensions

Unit: mm or inch



Zone	UL Standard					
	0	1	2	20	21	22
For use in	x	x		x	x	

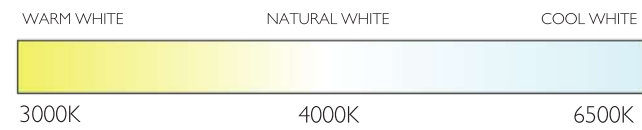
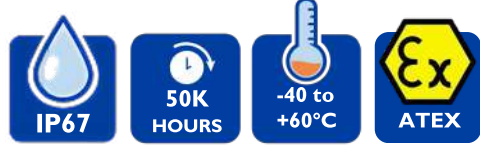
ATEX Standard		II2 G Ex eb op is IIC T5/T6 GC II2 D Ex op is tb IIIC T80°C Db
IECex Standard		Ex ec op is IIC T6/T5/T4/T3 Gc Ex op is tb IIIC T80°C/T95°C/T130°C/T195°C Db
UL Standard		Class I, Division 2, Groups A, B, C, D Class II, Division 1, Groups E, F, G Class II, Division 2, Groups F, G Class III
Retilap Standard		Esquema 5 RETILAP



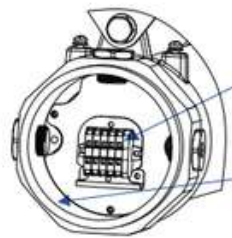
Packing Information

Model	Quantity/Carton	Packing Size (mm/inch)	N.W (kg/lb)	G.W (kg/lb)
Canopy Series	1	470x470x120mm; 185x18.5x4.72inch	4 kg/8.82 lbs	9 kg/ 19.84 lbs

JN-ATEX-LinearESeries
20-40W approx (2,600-15,600Lm approx)



Additional Information

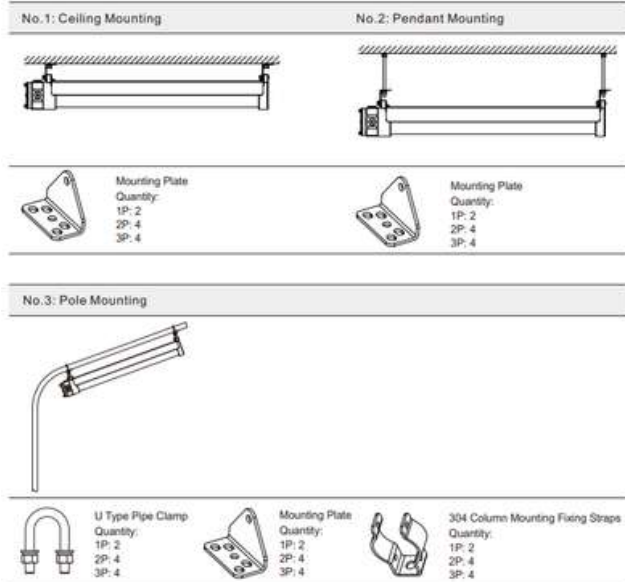


This chamber is an increased safety "e" chamber, and an increased safety "e" terminal is used.

The cover is opened by thread, which is more convenient than fastening with screws, takes less time, and does not need additional technical support.

1. The explosion-proof type type of wiring chamber can be "Ex e" explosion-proof type. See Figure.
2. The opening mode of the wiring chamber cover is threaded connection, which is convenient for incoming wire and wiring.
3. The structure can save additional incoming junction box for users.
4. Method of construction: Housing in one piece with high mechanical and chemical resistance. Long-lasting imperviousness by screw fitting.

Mounting Methods and Accessories



Certified Performance for Hazardous Workspaces

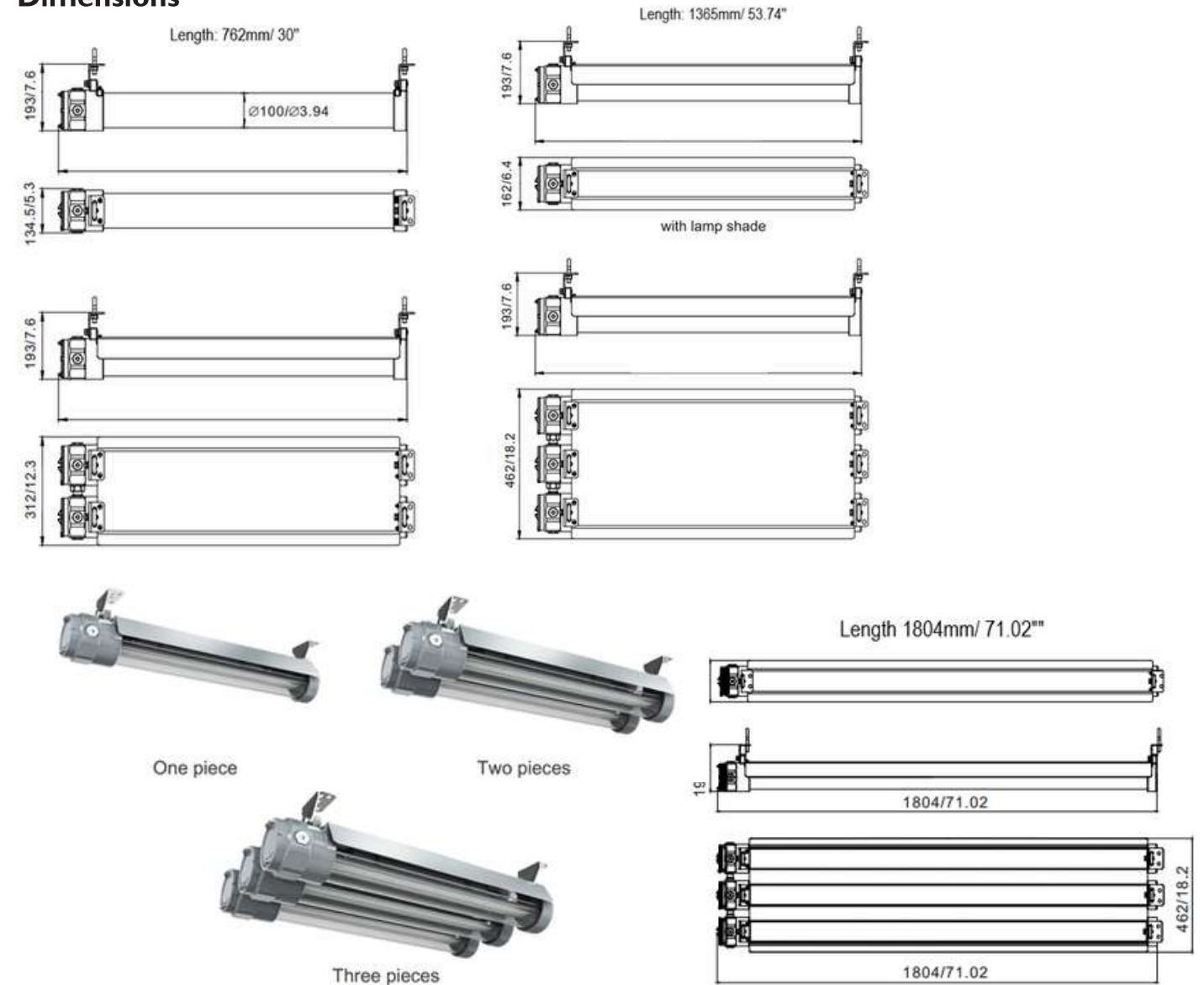
Available in three lengths, this rugged and compact luminaire offers flexible installation as a tunnel light, flood light, or wall pack. It delivers reliable general illumination across a range of hazardous environments, including shipyards, paper mills, petrochemical facilities, loading docks, and wastewater treatment plants.

With a luminous efficacy of up to 133 lm/W, it ensures energy-efficient performance without compromising brightness. Certified to ATEX and IECEx standards, it is engineered for safe operation in Zone 1, 2, 21, and 22 areas, making it an ideal solution for explosive gas and dust environments.




Technical Data

Model No.	Luminous Flux (lm)	LED Power (W)	Voltage	CCT	Warranty	Housing material / Diffuser Material	Emergency function	Color Temp. (CRI) and Beam angle (°)	Working Temp. (°)
JN-ATEX-LinearESeries1	2,600 (20W)/ 5,200 (2x20W)/ 7,800 (3x20W)	0.6 meters: max 20W, 2x20W, 3x20W	AC100-277V, 50/60Hz; DC12-48V	3,000K - 6,500K	5 years	ADC12 Aluminium / SUS304 / PC.Glass / PC	Optional (3 hours duration)	CRI>70 / 120°	0.6 meters: -40°C to +45°C
JN-ATEX-LinearESeries2	3,900 (20W)/ 7,800 (2x20W)/ 11,700 (3x20W)	1.2 meters: max 30W, 2x30W, 3x30W							1.2 meters: -40°C to +55°C
JN-ATEX-LinearESeries3	5,200 (20W)/ 10,400 (2x20W)/ 15,600 (3x20W)	1.5 meters: max 40W, 2x40W, 3x40W							1.5 meters: -40°C to +60°C

Dimensions



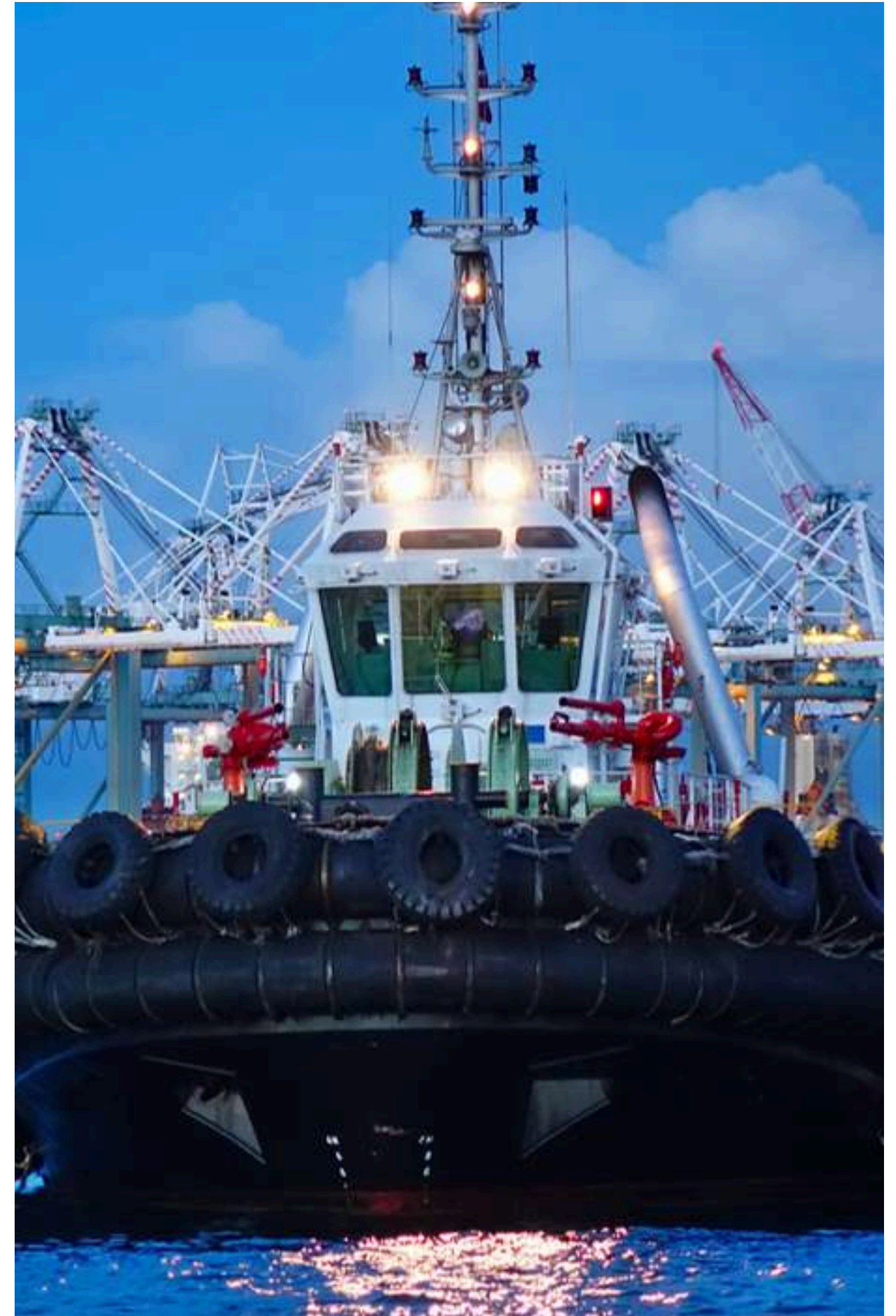
JN-ATEX-LinearESeries
20-40W approx (2,600-15,600Lm approx)

ATEX Standard		II 2GD Ex db eb mb IIC T6/T5 Gb II 2GD Ex tb IIIC T80°C/T95°C Db II 3GD Ex db ec IIC T6/T5/T4 Gc II 3GD Ex tc IIIC T80°C/T95°C/ T105°C Dc
IECex Standard		Ex eb db mb IIC T6/T5 Gb Ex tb IIIC T80°C/T95°C Db Ex db ec IIC T6/T5/T4 Gc Ex tc IIIC T80°C/T95°C/T105°C Dc
Retilap Standard		Esquema 5 RETILAP
Other Standard		EN 60079-0, EN 60079-1, EN 60079-7, EN 60079-18, EN 60079-31 IEC 60079-0, IEC 60079-1, IEC 60079-7, IEC 60079-18, IEC 60079-31

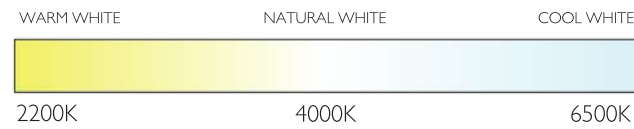
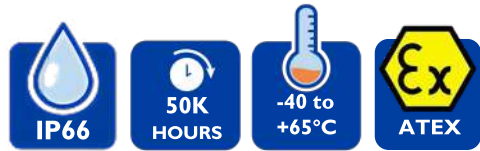
	UL Standard					
Zone	0	1	2	20	21	22
For use in		x	x		x	x

Packing Information

Model	Quantity/Carton	Packing Size (mm/inch)	N.W (kg/lb)	G.W (kg/lb)	
JN-ATEX-LinearESeries1	1 Piece; 0.6 meters	1	878x225x410mm; 34.5x8.8x16.1inch	8.5 kg/18.7 lbs	9.8 kg/21.6 lbs
	2 Pieces; 0.6 meters	1	967x467x430mm; 38.1x18.4x16.9inch	18.5 kg/40.8 lbs	20 kg/44.1 lbs
	3 Pieces; 0.6 meters	1	967x617x430mm; 38.1x24.3x16.9inch	21.3 kg/47 lbs	22.5 kg/49.6 lbs
JN-ATEX-LinearESeries2	1 Piece; 1.2 meters	1	1478x225x410mm; 58.2x8.8x16.1inch	9.5 kg/20.9 lbs	10.3 kg/22.7 lbs
	2 Pieces; 1.2 meters	1	1567x467c430mm; 61.7x18.4x16.9inch	20 kg/44.1 lbs	21.3 kg/47 lbs
	2 Pieces; 1.2 meters	1	1567x617x430mm; 61.7x24.3x16.9inch	29 kg/63.9 lbs	30.5 kg/67.2 lbs
JN-ATEX-LinearESeries3	1 Piece; 1.5 meters	1	1918x225x410mm; 75.5x8.8x16.1inch	34.5 kg/76.0 lbs	36.3 kg/80 lbs
	2 Pieces; 1.5 meters	1	2028x467x430mm; 79.8x18.4x16.9inch	40.1 kg/88.4 lbs	41.6 kg/91.7 lbs
	3 Pieces; 1.5 meters	1	2028x617x430mm; 79.8x24.3x16.9inch	55 kg/121.25 lbs	56.3 kg/124.1 lbs



JN-ATEX-LinearASeries 20-80W approx (2,600-10,400Lm approx)



Additional Information

- Ingress/Impact Protection:** IP66 / IK10
- Luminous Efficacy:** Up to 130 lm/W
- Dimming:** 0-10V dimming available (optional)
- Impact Resistance:** High durability under harsh conditions
- Housing:** Die-cast aluminium body with corrosion-resistant frame
- Emergency Option:** Available with 3-hour emergency backup

Installation Methods

No. 1: Bracket Surface Mounting



No. 2: Hook and Rope Mounting



No. 3: Pole Mounting



Built for Extreme Conditions, Designed for Safe Illumination

Engineered for environments where flammable gases, vapors, liquids, combustible dust, or ignitable fibers may be present, this exceptionally robust luminaire offers reliable performance in even the harshest industrial settings. Its rugged construction and efficient heat dissipation ensure long operational life and consistent high-lumen output, even under extreme stress.

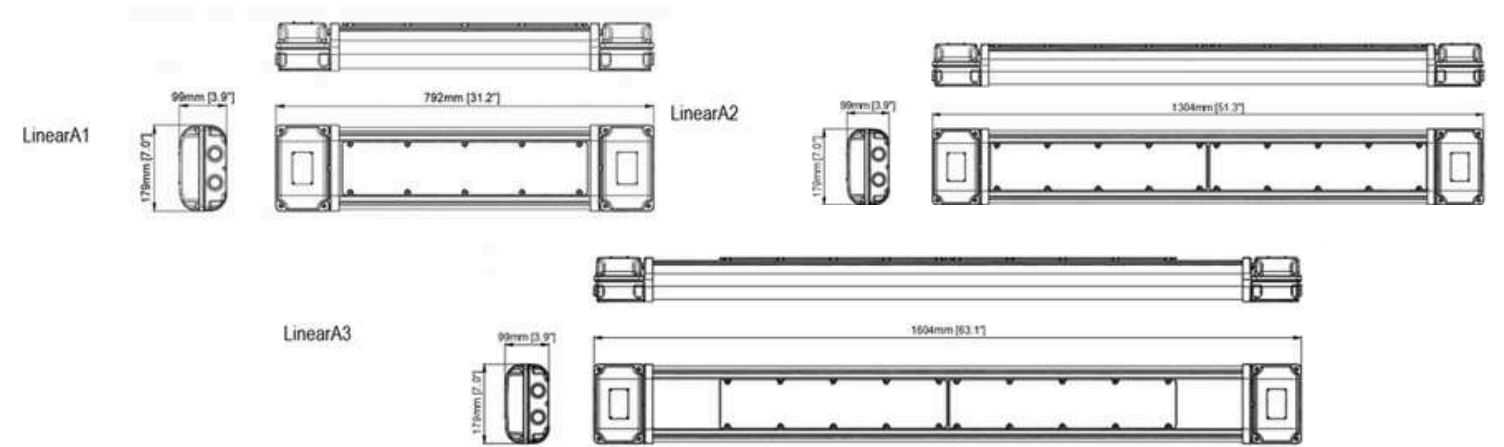
Ideal for general illumination, it is perfectly suited for hazardous locations such as ocean vessels, petroleum production sites, refineries, paint facilities, metal foundries, mining operations, offshore platforms, and facilities handling fine particles like flour or food distilling. Its adaptability extends to high humidity, high dust, high temperature, and vapor-heavy areas.

With professional-grade light distribution, this luminaire provides uniform and comfortable illumination, ensuring both safety and visual clarity in demanding workspaces.

Technical Data

Model No.	Luminous Flux (lm)	LED Power (W)	Voltage	Beam angle (°)	Warranty	Housing material/ Diffuser Material	Color Temp. (CRI)	Working Temp. (°)
JN-ATEX-LinearASeries1	2,600/ 5,200 (LinearA1 of 792mm (31.2'))/	20/ 40W (LinearA1 of 792mm (31.2'))	AC100-277V or DC12-36V (0-10V Optional)	40°/ 60°/ 90°	5 years	Copper Free Aluminium/ Tempered Glass	2200K-6500K (CRI>70)	-40°C to +65°C
JN-ATEX-LinearASeries2	6,500/ 10,400 (LinearA2 of 1304mm (51.3'))	50W/ 80W						
JN-ATEX-LinearA3	6,500/ 10,400 (LinearA3 of 1504mm (63.1'))	50W/ 80W (LinearA3 of 1504mm (63.1'))						

Dimensions

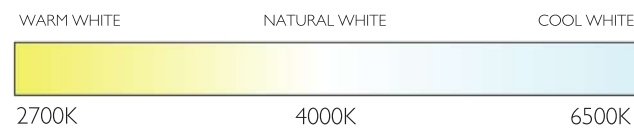
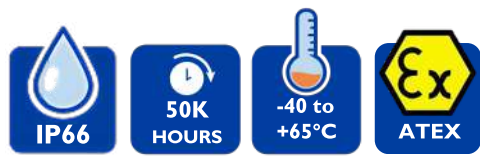


ATEX Standard		ATEX Directive 2014/34/EU: II 2 G Ex eb mb IIC T6...T4 Gb II 2 D Ex tb IIIC T80°C...T120°C Db IP66 II 3 G Ex ec IIC T6...T4 Gc	Retilap Standard		Esquema 5 RETILAP																				
IECex Standard		EN 60079-0, EN-60079-7, EN-60079-18, EN-60079-31	<table border="1"> <thead> <tr> <th colspan="6">UL Standard</th> </tr> <tr> <th>Zone</th> <th>0</th> <th>1</th> <th>2</th> <th>20</th> <th>21</th> <th>22</th> </tr> </thead> <tbody> <tr> <td>For use in</td> <td></td> <td>X</td> <td>X</td> <td></td> <td>X</td> <td>X</td> </tr> </tbody> </table>			UL Standard						Zone	0	1	2	20	21	22	For use in		X	X		X	X
UL Standard																									
Zone	0	1	2	20	21	22																			
For use in		X	X		X	X																			

Packing Information

Model	Quantity/Carton	Packing Size (mm/inch)	N.W (kg/lb)	G.W (kg/lb)
LinearA1	1	890x250x160mm; 35.04x9.84x6.30inch	7.5 kg/16.53 lbs	9.5 kg/20.94 lbs
LinearA2	1	1400x250x160mm; 55.12x9.84x6.30inch	15 kg/33.07 lbs	17 kg/37.48 lbs
LinearA3	1	1700x250x160mm; 66.92x9.84x6.30inch	17.5 kg/38.5 lbs	20 kg/44 lbs

JN-ATEX-LinearB Series
10-100W approx (1,300-13,000Lm approx)

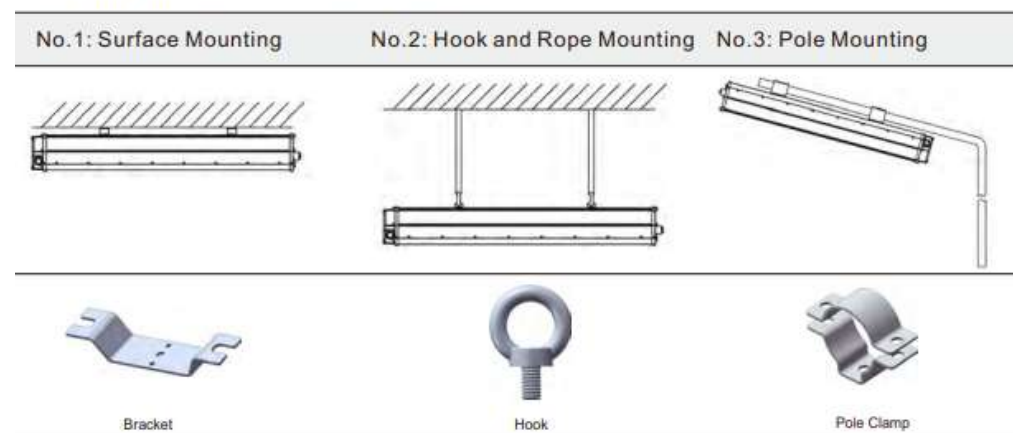


Additional Information

- Certifications:** ATEX and IECEx
- Luminous Efficacy:** Up to 130 lm/W
- Construction:** Rugged and compact design
- Length Options:** Available in three lengths
- Beam Angles:** 40°, 60°, 90°, and 120°
- Housing Material:** Die-cast aluminium with corrosion resistance
- Ingress Protection:** IP66

UL Standard	
Zone	0 1 2 20 21 22
For use in	x x x x

Mounting Methods and Accessories



Reliable Illumination for Explosive Environments

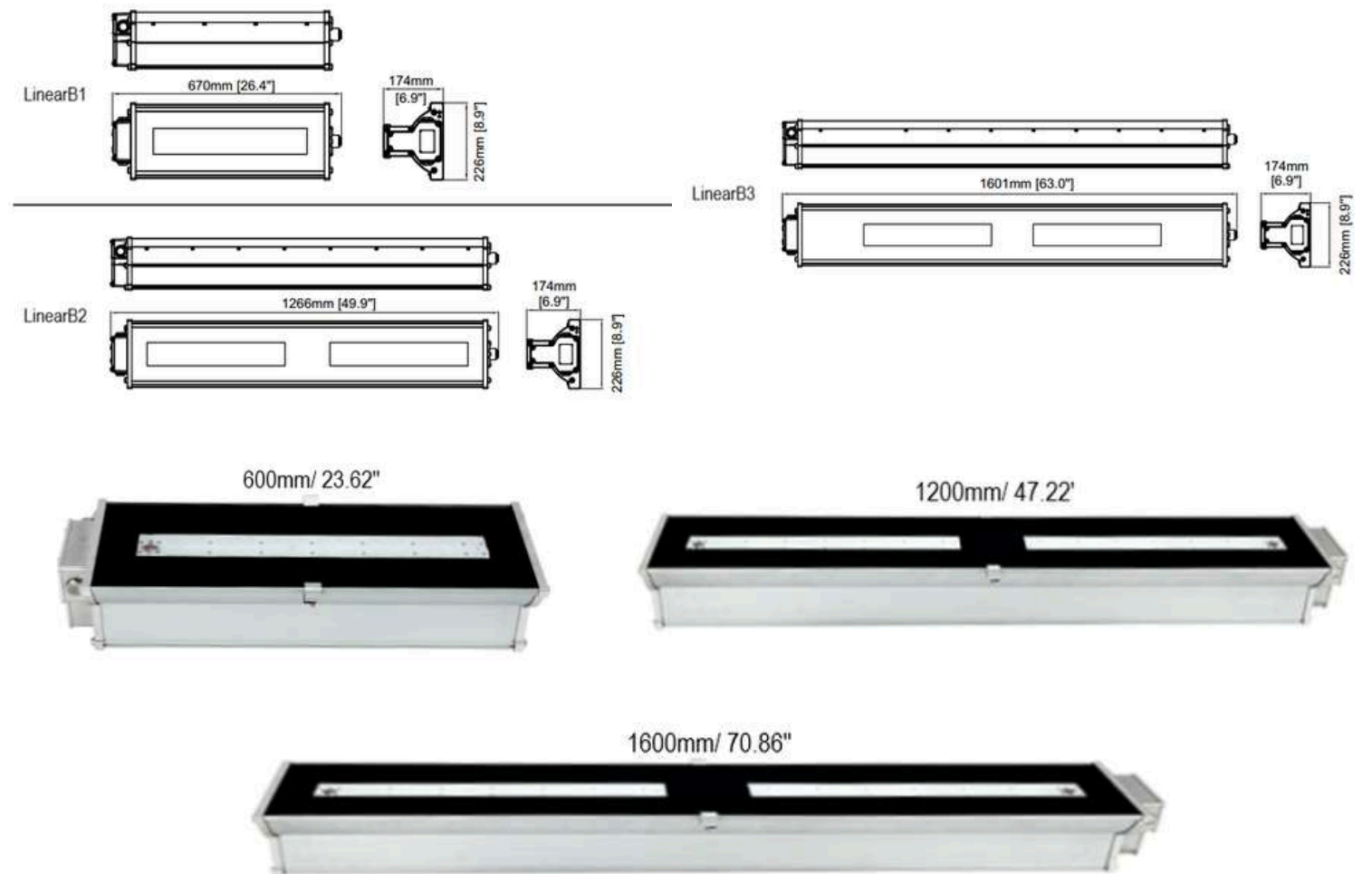
Available in three length options, this exceptionally robust luminaire is built for demanding hazardous environments where flammable gases, vapors, liquids, combustible dust, or ignitable fibres may be present. Its durable construction and efficient heat dissipation ensure long service life and high-lumen output, even in the harshest conditions.

Versatile in application, it provides dependable general illumination across a wide range of hazardous areas—including ocean vessels, petroleum production sites, refineries, paint and metal processing facilities, mining operations, offshore platforms, and locations handling fine particulates such as flour, food, and alcohol production.

Technical Data

Model No.	Luminous Flux (lm)	LED Power (W)	Voltage	Beam angle (°)	Warranty	Housing material/ Cover Material	Materials	Color Temp. (CRI)	Ambient Temp. (°)
JN-ATEX-LinearB Series1	1,300 (10W)/ 5,200 (40W) - (LinearB1 of 670mm (26.4'))	10/ 40W	AC 100- 277V/DC 12-48V	40/ 60/ 90/ 120°	5 years	Die-casting aluminium and A6063/ Transparent tempered glass	Die-casting Aluminum and A6063, Tempered transparent glass	CRI>70	-40°C to +65°C
JN-ATEX-LinearB Series2	5,200 (40W)/ 10,400 (80W) - (LinearB2 of 1266mm (49.9'))	40/ 80W							
JN-ATEX-LinearB Series3	7,800 (60W)/ 13,000 (100W) - (LinearB3 of 1601mm (63.0'))	60/ 100W							

Dimensions



JN-ATEX-LinearB Series
10-100W approx (1,300-13,000Lm approx)

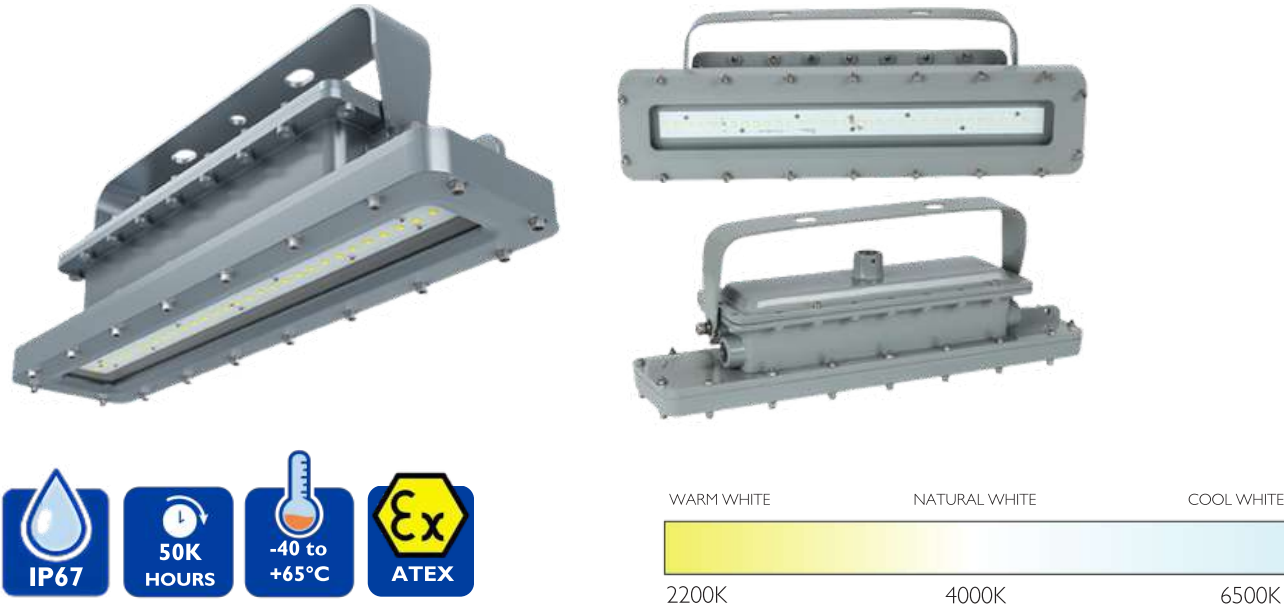
ATEX Standard		II2 G Ex db eb mb IIC T6/T5 Gb II2 D Ex tb tp IIIC T80°C/T95°C Db IP66
IECex Standard		Ex db eb mb IIC T6/T5 Gb Ex tb tp IIIC T80°C/T95°C Db IP66
Retilap Standard		Esquema 5 RETILAP
Ex-60079		EN 60079-0 EN-60079-31 EN-60079-1

Packing Information

Model	Quantity/Carton	Packing Size (mm/inch)	N.W (kg/lb)	G.W (kg/lb)
LinearB1	1	740x305x265mm; 29.13x12x10.43inch	8 kg/17.64 lbs	10 kg/22.05 lbs
LinearB2	1	1330x305x265mm; 52.36x12x10.43inch	14 kg/30.86 lbs	16 kg/36.38 lbs
LinearB3	1	1660x305x265mm; 65.35x12x10.43inch	18 kg/39.6 lbs	21 kg/46.2 lbs



JN-ATEX-LinearCSeries 20-120W approx (2,800-16,800Lm approx)



Additional Information

Protection Rating: IP66 / IP67 / IK08 (Glass Cover) / IK10 (with Wire Guard)

Dimming: 0–10V dimming available (optional)

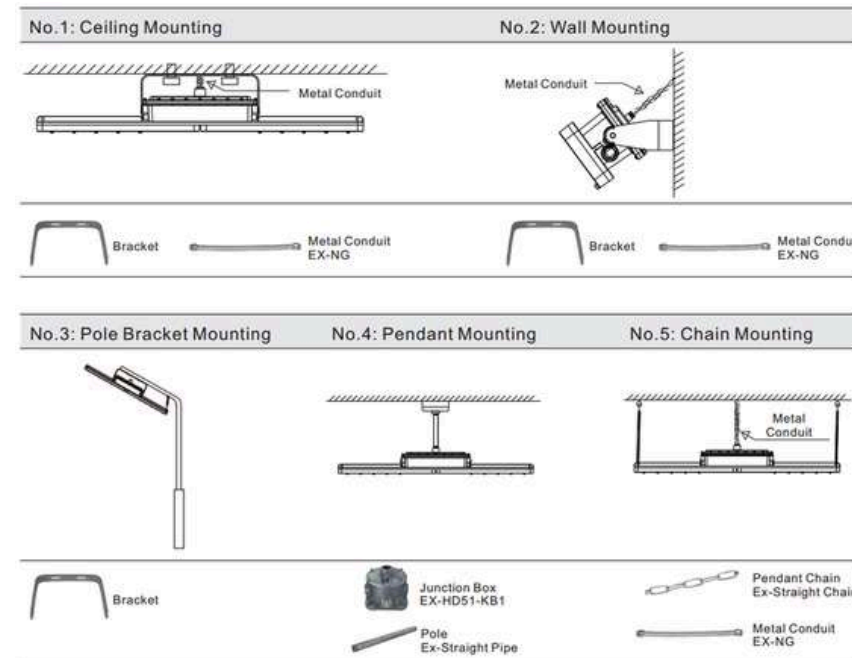
Coating: Marine-rated powder coating

Hardware: Stainless steel components

Housing Material: Copper-free aluminium for excellent corrosion resistance and cooling performance

Efficacy: 140 lm/W

Installation Methods



Built to Perform in Extreme Conditions

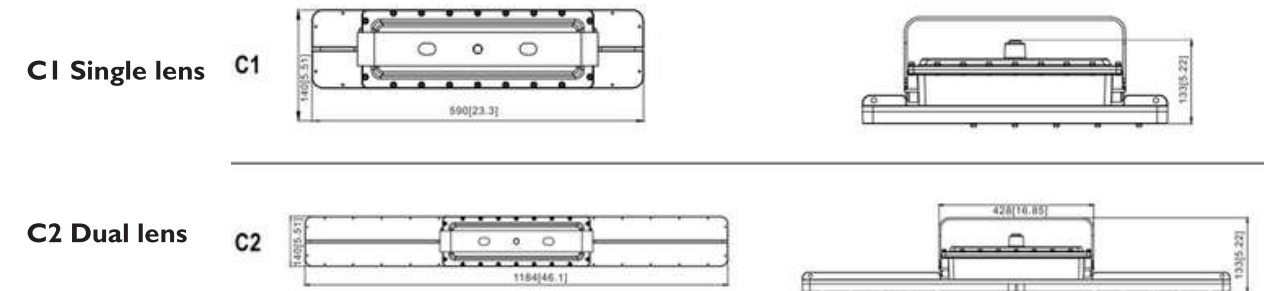
This versatile luminaire is engineered for general illumination in a wide range of hazardous environments. From ocean vessels, petroleum production, and storage facilities to paint shops, metal foundries, mining sites, offshore platforms, and food or chemical processing plants, it delivers reliable lighting where it's needed most. Designed to perform in areas with high humidity, dust, temperature, and vapor exposure, the fixture offers exceptional durability and impact resistance.

Built with a corrosion-resistant die-cast aluminium body and frame, it features tempered glass for high heat resistance and a waterproof, dust-proof design that eliminates the need for internal cleaning or maintenance. A professional light distribution system ensures uniform and comfortable illumination. For added safety, an optional emergency model provides up to 3 hours of backup lighting in critical situations.

Technical Data

Model No.	Luminous Flux (lm)	LED Power (W)	Voltage (V)	Beam angle (°)	Warranty	Housing material/ Diffuser Material	Compliance	Color Temp. (CRI)	Working Temp. (°)
JN-ATEX-LinearCSeries1	2,800 (20W)/ 5,600 (40W)/ 8,400lm (LinearC1 of 590mm (23.3'))	20/ 40W (LinearC 1 of 590mm (23.3'))	AC100- 277V; 200- 480VAC ;12- 36VDC	120°	5 years	Copper Free Aluminium/ Tempered Glass	Esquema 5 RETILAP, CB (Ref. Certif. No.: DE 2- 038462-M1) UL1598, UL1598A, UL924, ETL, ABS, DLC	2200K- 6500K (CRI>70)	-40°C to +65°C
JN-ATEX-LinearCSeries2	5,600 (40W)/ 8,400 (60W)/ 11,200 (80W)/ 14,000 (100W)/ 16,800lm (120W) (LinearC2 of 1184mm (46.1'))	40W/ 60W/ 80W/ 100W/ 120W (LinearC 2 of 1184mm (46.1'))							

Dimensions

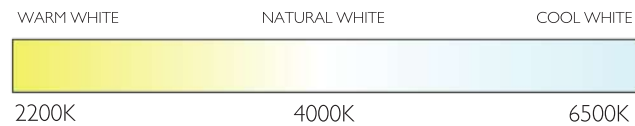
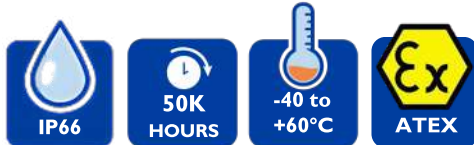


ATEX Standard		I/2 G Ex db IIB T4 Gb I/2 D Ex tb IIIC T63.5°C Db IP65	Retilap Standard		Esquema 5 RETILAP																				
IECex Standard		Ex db IIB T4 Gb Ex tb IIIC T63.5°C Db IP65	Other Certifications	CB (Ref. Certif. No.: DE 2-038462-M1) UL1598, UL1598A, UL924, ETL, ABS, DLC, 1000 Hours Salt Spray/ 5G Vibration																					
UL Standard		Class I, Division 1, Groups C, D Class I, Division 2, Groups A, B, C, D Class II, Division 1, Groups E, F, G Class II, Division 2, Groups F, G Class III	<table border="1"> <thead> <tr> <th colspan="6">UL Standard</th> </tr> <tr> <th>Zone</th> <th>0</th> <th>1</th> <th>2</th> <th>20</th> <th>21</th> <th>22</th> </tr> </thead> <tbody> <tr> <td>For use in</td> <td></td> <td>x</td> <td>x</td> <td></td> <td>x</td> <td>x</td> </tr> </tbody> </table>			UL Standard						Zone	0	1	2	20	21	22	For use in		x	x		x	x
UL Standard																									
Zone	0	1	2	20	21	22																			
For use in		x	x		x	x																			

Packing Information

Model	Quantity/Carton	Packing Size (mm/inch)	N.W (kg/lb)	G.W (kg/lb)
C1 Single Lens	1	770x340x265mm; 30.3x13.39x10.43inch	12 kg/26.46 lbs	14 kg/30.86 lbs
C2 Single Lens	1	1360x340x265mm; 53.54x13.39x10.43inch	18.5 kg/40.79 lbs	21.5 kg/47.4 lbs

JN-ATEX-LinearDSeries
30-60W approx (4,050-8,100Lm approx)



Additional Information

Cable Entry:

- Standard: 4 x NPT 3/4 (1 open, 3 with stopping plugs)
- With Emergency: 3 x NPT 3/4 (1 open, 2 with stopping plugs), includes self-testing button

Interconnection Limit: Maximum total wattage is 150W

Material: SS304 Stainless Steel

Protection Rating: IP66 / IK10 / 3G Vibration / 1200 Hours Salt Spray

Built for Durability and Flexible Integration

Designed with longevity and versatility in mind, this luminaire features a UV-stabilized, impact-resistant fiberglass-reinforced polycarbonate lens for enhanced durability in demanding environments. It is available in both two- and four-foot lengths to accommodate various installation needs. The fixture supports dead end, through feed*, or single-ended "T" wiring, providing flexibility in electrical configuration. Maintenance is simplified with a replaceable LED light strip, and for added safety during power outages, an optional self-contained emergency battery backup is available, offering a minimum of 90 minutes of runtime and equipped with a push-to-test button and LED charging indicators.



UL Standard	
Zone	0 1 2 20 21 22
For use in	x x x x x

ATEX Standard		II 2 G Ex db eb mb IIC T6/T5 Gb II 2 D Ex tb IIIC T80°C/T95°C Db	Retilap Standard		Esquema 5 RETILAP
IECex Standard		Ex db eb mb IIC T6/T5 Gb Ex tb IIIC T80°C/T95°C Db	Other Certifications	CB (Certif. No.: DE 2-028898), UL924, ABS, DLC	
UL Standard		Class I, Division 2, Groups A, B, C, D Class II, Division 2, Groups F, G Class III			

Technical Data

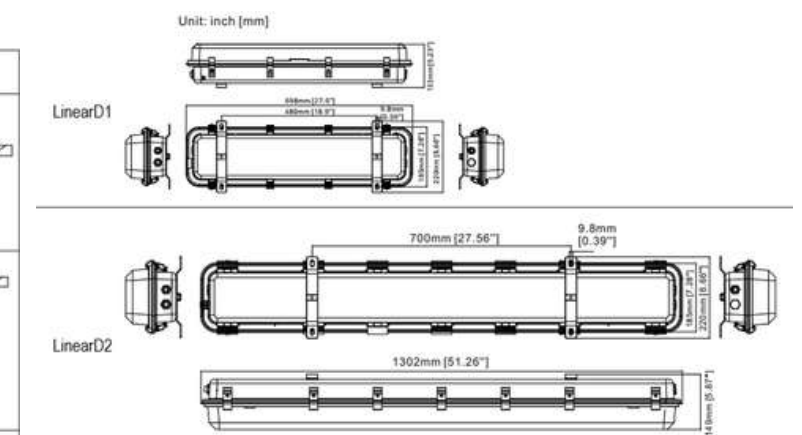
Model No.	Luminous Flux (lm)	LED Power (W)	Voltage (V)	Beam angle (°)	Warranty	Housing material/ Diffuser Material	Compliance	Color Temp. (CRI)	Working Temp. (°)
JN-ATEX-LinearDSeries1	4,050 (30W)/ 5,400 lm (40W) (LinearD1 of 590mm (23.3'))	30/ 40W (LinearD 1 of 590mm (23.3'))	AC120-277V	120°	5 years	Copper Free Aluminium/ Tempered Glass	Esquema 5 RETILAP, ETL/ UL1598/ UL1598A/ UL844/ IECEx/ ATEX/ ABS/ CB/ CSA	2200K-6500K (CRI>80)	-40°C to +45°C/ 60°C (normal) -10°C to +45°C/ 60°C (Emergency)
JN-ATEX-LinearDSeries2	6,750 (50W)/ 8,100 (60W) (LinearD2 of 1184mm (46.1'))	50/60/(L inearD2 of 1184mm (46.1'))							

Installation Methods

Options	Description	Kit(inch[mm])	Installed
Ceiling Mount	Provided with two stainless steel mounting kits welded at the back of Housing	Standard Mounting Kit (included)	
Rope Mount	Provided with two stainless steel wire. Measured 1 mm diameter.		
Pole Mount	(1) 155"Pipe (2) Pipe Clamp bracket		

*Mounting screws not provided
** Ordered separately, field installed

Dimensions



Packing Information

Model	Quantity/ Carton	Packing Size (mm/inch)	N.W (kg/lb)	G.W (kg/lb)	
LinearDSeries1	Without Emergency	1	820x260x190mm; 32.28x10.24x7.48inch	5.27 kg/11.6 lbs	16.5kg/14.33 lbs
	With Emergency	1	820x260x190mm; 32.28x10.24x7.48inch	6.5 kg/14.33 lbs	7.43 kg/16.38 lbs
LinearDSeries2	Without Emergency	1	1420x260x190mm; 55.91x10.24x7.48inch	8.92 kg/19.67 lbs	10.5 kg/23.15 lbs
	With Emergency	1	1420x260x190mm; 55.91x10.24x7.48inch	10.2 kg/22.49 lbs	11.54 kg/25.44 lbs

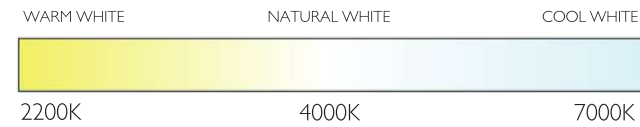
JNFL-ATEX-FSeries 20-200W approx (2,600-26,000Lm approx)



20-100W (bracket with indentation)



150-200W



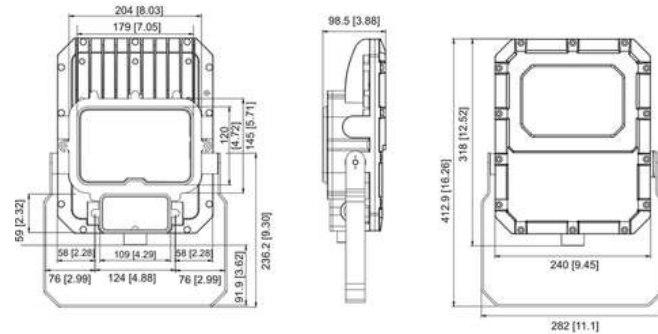
Additional Information

Optimized Protection for Explosive and Harsh Environments

This flameproof and increased-safety luminaire is engineered for use in the most demanding hazardous locations. Crafted from high-quality, copper-free aluminium, the housing provides exceptional durability while resisting corrosion in marine and industrial environments. Its heavy-duty construction and high impact resistance ensure reliability even in tough conditions, supported by stainless steel hardware and a marine-rated powder coating. Rated IP66 and IK10, it offers superior protection against dust, water ingress, and mechanical stress. For added versatility, dimming options such as 0-10V control are available, allowing for precise lighting adjustments based on operational needs.

Dimensions 20-100W (bracket with indentation):

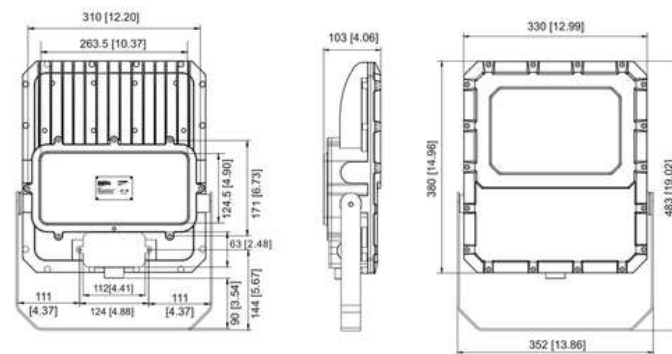
Flame proof and increased safety type 20-100W



Cable entry 20-100W: Side entry M25 or 3/4 NPT

Dimensions 150-200W:

Flame proof and increased safety type 150-200W



Cable entry 150-200W: Side entry M25 or 3/4 NPT.

Bottom entry: M25 or 3/4 NPT.

Technical Data

Model No.	Luminous Flux (lm)	LED Power (W)	Voltage (V)	Beam angle (°)	Warranty	Housing material/ Diffuser Material	CCT and Power Factor	Color Temp. (CRI)	Working Temp. (°)
JNFL-ATEX-FSeries1	2,600/13,000lm	20/100W							
JNFL-ATEX-FSeries2	19,500/26,000lm	150/200W	AC120-277V, 50/60Hz, DC36V	40°/60°/90°/120°	5 years	Copper Free Aluminium / Tempered Glass	2200K-7000K, >0.9	CRI>70	-40°C to +40°C (T6), -40°C to +55°C (T5), -40°C to +65°C (T4)
JNFL-ATEX-FSeries3									

ATEX Standard		Flame-proof type: Gas: II 2 G Ex db IIB T6...T4 Gb Dust: II 2 D Ex tb IIIC T80°C...120°C Db IP66 Flame-proof and increased safe type: Gas: II 2 G Ex db eb IIB T6...T4 Gb Dust: II 2 D Ex tb IIIC T80°C...120°C Db IP66
Retilap Standard		Esquema 5 RETILAP

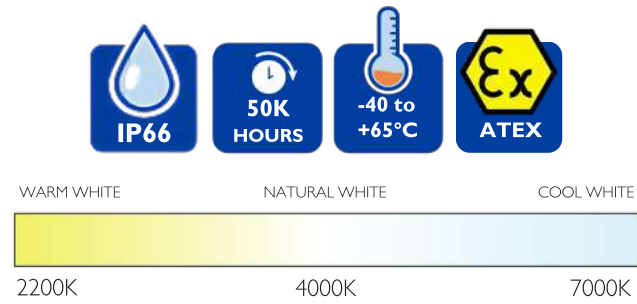
Zone	UL Standard					
	0	1	2	20	21	22
For use in		x	x		x	x

Packing Information

Model	Quantity/Carton	Packing Size (mm/inch)	N.W (kg/lb)	G.W (kg/lb)
FSeries1	1		8.5 kg/18.74 lbs	10 kg/22.05 lbs
FSeries 2	1		12.5 kg/27.56 lbs	14.5 kg/ 31.97 lbs



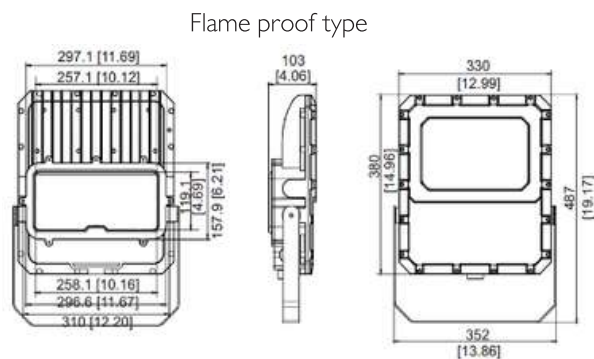
JNFL-ATEX-Model F 20-200W approx (2,600-26,000Lm approx)



Additional Information

- Design:** Heavy duty and high impact resistant
- Hardware:** Stainless steel
- Coating:** Marine-rated powder coating
- Protection Rating:** IP66 / IK10
- CCT Range:** 2,200-7,000K
- Efficiency:** 130lm/W
- Intelligent Control:** 0-10V dimming
- Back-up Supply Time:** 90 mins
- LED Chips:** 3030/5050
- Driver:** Meanwell/LiFud

Dimensions:



Technical Data

Model No.	Luminous Flux (lm)	LED Power (W)	Voltage (V)	Beam angle (°)	Warranty	Housing material/ Diffuser Material	Color Temp. (CRI)	Working Temp. (°)
	2,600-26,000lm	20-200W	AC120-277V, 50/60Hz, DC36V	40/60/90/120°	5 years	Copper Free Aluminium / Tempered Glass	CRI>70	-40°C to +40°C (T6), -40°C to +55°C (T5), -40°C to +65°C(T4)

	ATEX Standard	<p>Flame-proof type: Gas: II 2 G Ex db IIB T6...T4 Gb Dust: II 2 D Ex tb IIIC T80°C...120°C Db IP66 Flame-proof and increased safe type: Gas: II 2 G Ex db eb IIB T6...T4 Gb Dust: II 2 D Ex tb IIIC T80°C...120°C Db IP66</p>
	Retilap Standard	<p>Esquema 5 RETILAP</p>
	Other Standard	EN 60079-0/ EN 60079-1/ EN-60079-31/ EN 60079-7

JN-ATEX-StreetlightSeries 100-250W approx (14,000-35,000Lm approx)

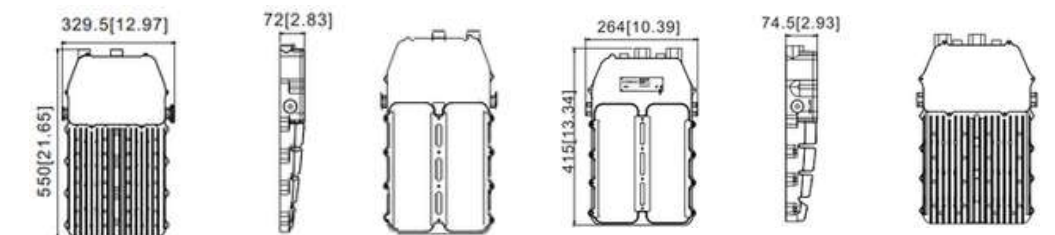


Dimensions:

Unit: mm[inch]

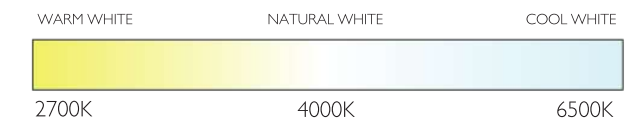
Streetlight Series type 1:
100W/ 150W/ 200W

Streetlight Series type 2:
100W/ 200W/ 250W



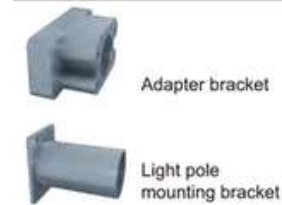
Additional Information

- Luminous Efficacy:** 120-150 lm/W
- Dimming:** 0-10V optional
- Protection Levels:** IP66 / IP67 / IK06 / IK07 (without Wire Guard), IK09 (with Wire Guard), 1000 Hours Salt Spray



Installation methods and accessories

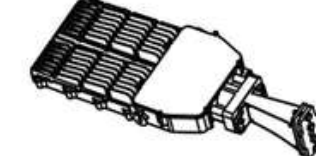
No. 1: Pole Mounting



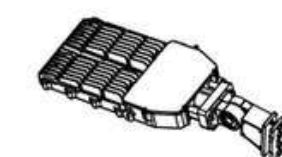
No. 2: Trunnion Mounting



No. 3: Arm Mounting (A)



No. 4: Arm Mounting (B)



No. 5: Slip Fitter Mounting



No. 6: Bracket Mounting



JN-ATEX-StreetlightSeries 100-250W approx (14,000-35,000Lm approx)

ATEX Standard		<p>ZONE 1 II 2 G Ex eb mb IIC T6...T4 Gb II 2 D Ex tb IIIC T95°C...T125°C Db IP</p> <p>ZONE 2 II 3G Ex ec mb IIC T6...T4 Gc II 2D Ex tb IIIC T80°C...T125°C</p>	Retilap Standard		Esquema 5 RETILAP																				
IECex Standard		<p>ZONE 1 Ex eb mb IIC T6...T4 Gb Ex tb IIIC T95°C...T125°C Db IP</p> <p>ZONE 2 Ex ec mb IIC T6...T4 Gc Ex tb IIIC T80°C...T125°C</p>	Other Standard		UL1598, UL1598A, UL924, ETL, ABS																				
UL Standard		<p>Class I, Division 2, Groups A, B, C, D Class II, Division 1, Groups E, F, G Class II, Division 2, Groups F, G Class III</p>			<table border="1"> <tr> <th colspan="6">UL Standard</th> </tr> <tr> <th>Zone</th> <th>0</th> <th>1</th> <th>2</th> <th>20</th> <th>21</th> <th>22</th> </tr> <tr> <td>For use in</td> <td></td> <td>x</td> <td>x</td> <td></td> <td>x</td> <td>x</td> </tr> </table>	UL Standard						Zone	0	1	2	20	21	22	For use in		x	x		x	x
UL Standard																									
Zone	0	1	2	20	21	22																			
For use in		x	x		x	x																			

Technical Data

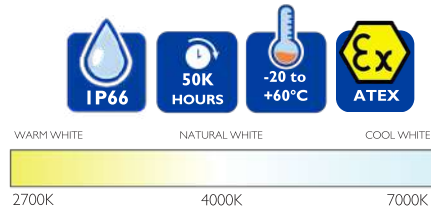
Model No.	Luminous Flux (lm)	LED Power (W)	Voltage (V)	Beam angle (°)	Warranty	Housing material	Compliance	Color Temp. (CRI)	Ambient Temp. (°)
Streetlight Series1	14,000/ 21,000/ 28,000lm	Type1: Max. 100/ 150/ 200W	AC120- 277V, 50/60Hz	40°/ 60°/ 90°/ 120°/ T3/ T5	5 years	ADC12 Aluminium / Tempered glass	Esquema 5 RETILAP, ETL/ UL1598/ UL1598A/ UL844/ IECEx/ ATEX/ ABS/ CB /CSA	CRI>70	-40°C to +55°C
Streetlight Series2	14,000/ 28,000/ 35,000lm	Type2: Max. 100/ 200/ 250W							

Packing Information

Model	Quantity/Carton	Packing Size (mm/inch)	N.W (kg/lb)	G.W (kg/lb)
Streetlight Series1	1	692x388x125mm; 27.24x15.27x4.92inch	10.5 kg/23.15 lbs	10.5kg/23.15 lbs
Streetlight Series2	1	820x260x190mm; 32.28x10.24x7.48inch	7.5 kg/16.53 lbs	7.5 kg/16.53 lbs



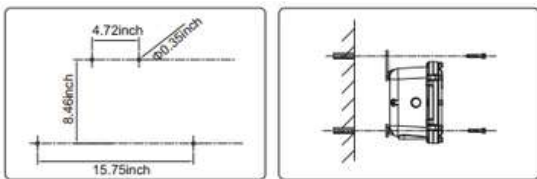
JN-ATEX-Exit1Series 3-12W approx (540-1,080Lm approx)



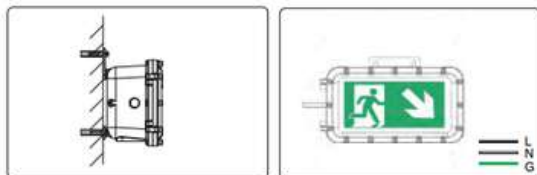
Versatile and Energy-Efficient Emergency Signage

This energy-efficient emergency sign luminaire is designed for dependable performance in both indoor and outdoor settings. Its low working wattage ensures energy savings without compromising visibility. The fixture supports wall mounting and includes 3/4" NPT or M25 conduit hubs for easy installation. Built with a durable die-cast aluminium housing, it offers a long lifespan of up to 50,000 hours and is rated IP66 for excellent protection against dust and water. The label content is customizable—available in multiple languages and various exit sign formats to meet diverse safety requirements.

Installation Method



1. Drill 4 holes (Φ0.35inch) as shown above.
2. Install four M8 expanded screws to fix the device.

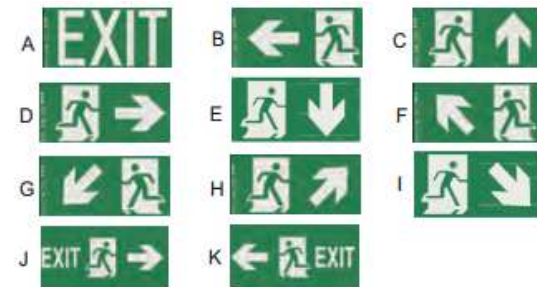


3. Tighten the four screws.
4. Connect the AC cable, black cable joins to L, white cable joins to N, green cable joins to grounding.

Dimensions



Marking Label (Optional)



Technical Data

Model No.	Luminous Flux (lm)	LED Power (W)	Voltage (V)	Warranty	Housing material/ Diffuser Material	Working Temp. (°)
JN-ATEX-Exit1Series	540-1,080lm	LED spot lights 2x (3W to 6W) = 6W to 12W. Exit sign: 3W to 6W	AC 100-277V, By driver and by IC	5 years	Die-casting aluminium	-20°C to +60°C

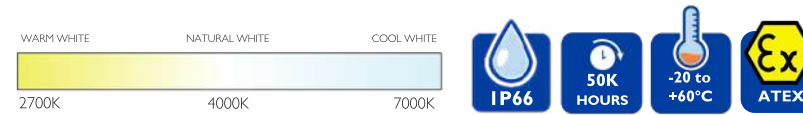
Packing Information

Model No.	Quantity/ Carton	Packing Size	N.W (kg/lb)	G.W (kg/lb)
JN-ATEX-Exit1Series	1	660x510x 260mm/25.98x 20.08x 10.24in	18.0kg/ 39.68lb	21.0kg/ 46.30lb

ATEX Standard		II 2 G Ex db IIB+H ₂ T6 Gb II 2 D Ex tb IIIC T80°C Db
IECex Standard		Ex db IIB+H ₂ T6 Gb Ex tb IIIC T80°C Db
Retilap Standard		Esquema 5 RETILAP

UL Standard	
Zone	For use in
0	1 2 20 21 22
x	x x x x

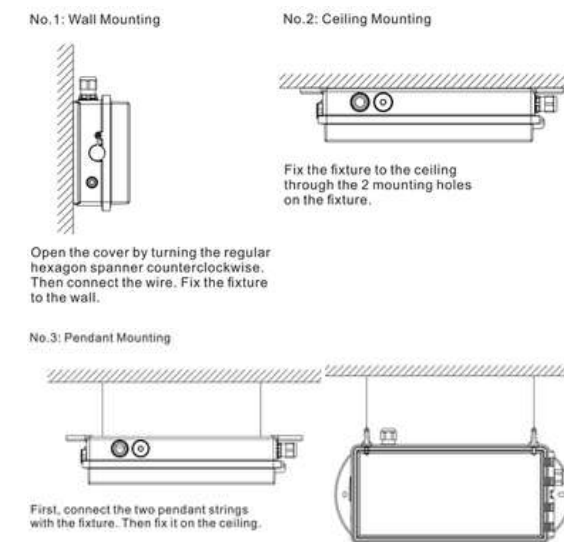
JN-ATEX-Exit2Series 3-15W approx



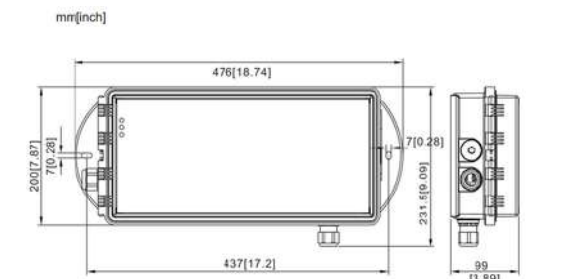
Built for Emergency Response & Operational Efficiency

This luminaire is built for safety and reliability, featuring an emergency control power supply that provides up to 3 hours of backup lighting during outages. EMC/EMI functionality ensures stable performance in complex environments. It also includes central locking for security, customizable label content, and a universal T-shaped unlocking tool compatible with all lamps in the series.

Installation Methods



Dimensions



Technical Data

Model No.	CCT	LED Power (W)	Voltage (V)	Warranty	Housing material/ Diffuser Material	Working Temp. (°)
JN-ATEX-Exit2Series	2,700-7,000K	3W-15W	AC 100-277V, 50/60Hz, DC 12-36V	5 years	Glass fibre reinforced polyester resin/PC	T6/T80°C: -20°C to +40°C; T5/T95°C: -20°C to +60°C

Packing Information

Model	Quantity / Carton	Packing Size (mm/inch)	N.W (kg/lb)	G.W (kg/lb)
Escape Route Sign luminaires	1	550x300x190mm; 21.65x11.81x7.48in	4.32 kg/9.52 lbs	5 kg/11.02 lbs
Lighting luminaires or Emergency Lighting luminaires	1	550x300x190mm; 21.65x11.81x7.48in	4 kg/8.82 lbs	4.68 kg/10.32 lbs

Additional Information

Cable Entry Size: M25x1.5, 3/4 NPT

Stopping Plug: M25x1.5

Battery: 3.7V, 4Ah

Charging Time: 24h

IP/IK Rating: IP66 / IK10

Cover Material: Polycarbonate (PC)

Housing Material: Glass Fiber Reinforced Polyester Resin

Emergency: 3-hour emergency operation

UL Standard	
Zone	For use in
0	1 2 20 21 22
x	x x x x

IECex Standard		Ex db eb mb q IIC T5/T6 Gb Ex tb IIIC 80°C/95°C Db
Retilap Standard		Esquema 5 RETILAP
Other Certifications		ABS certified 1000 Hours Salt Spray

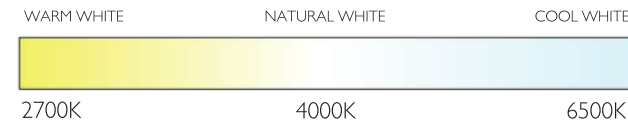
JNHB-ATEX-GSeries
40-200W approx (2,600-26,000Lm approx)

Additional Information



Tough Lighting for Demanding Environments

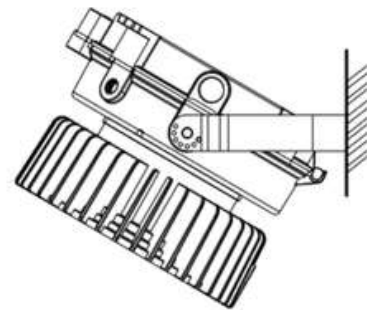
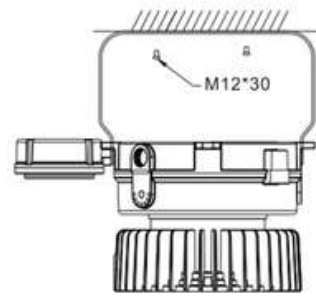
Built for durability, this compact luminaire features a corrosion-resistant aluminium housing, stainless steel fasteners, and reliable SMT LEDs with a Meanwell driver. With IK08/IK10 impact resistance and IP66 protection, it stands up to harsh conditions. Optional features include a microwave motion sensor, globe glass with wire guard, and a 3-hour emergency lighting function—making it a versatile choice for industrial and hazardous applications.



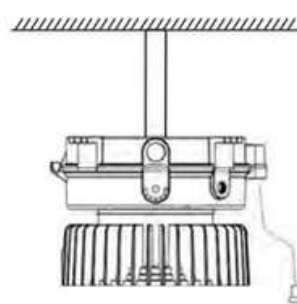
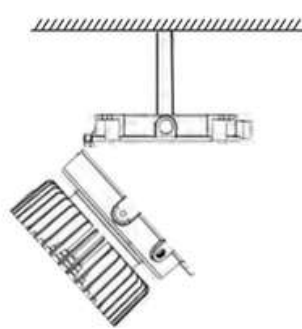
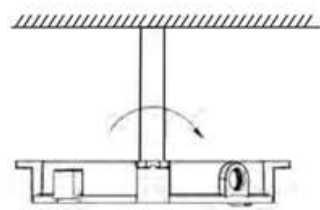
Installation Methods and Accessories

No.1: Bracket Ceiling Mounting

No.2: Bracket Wall Mounting



No.3: Pole Mounting



Bracket



Pole Ex-Straight Pipe



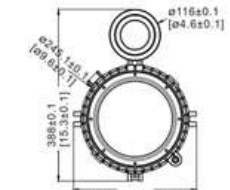
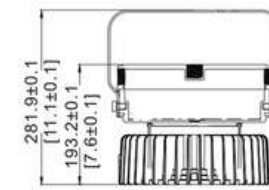
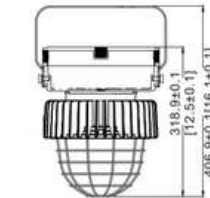
Technical Data

Model No.	Luminous Flux (lm)	LED Power (W)	Voltage (V)	Warranty	Housing material/ Diffuser Material	Compliance	Color Temp. (CRI)	Working Temp. (°)
JNHB-ATEX-GSeries1	2,600 (20W)/ 5,200 (40W)/ 7,800 (60W)/ 10,400 (80W)	GSeries1 : 20/ 40/ 60/ 80W	AC100-277V, AC220-480V	5 years	Copper Free Aluminium / Tempered Glass	Esquema 5 RETILAP, ETL/IECEx/ATEX/ ABS/ CB/ CSA	CRI>70	-40°C to +60°C
JNHB-ATEX-GSeries2	13,000 (100W)/ 19,500 (150W)/ 26,000 (200W)	GSeries2 : 100/ 150/ 200W						

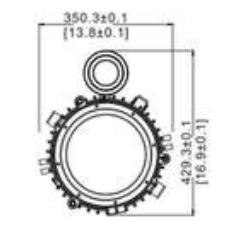
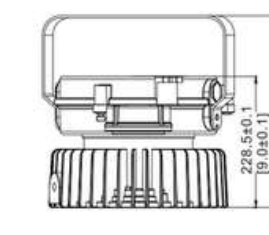
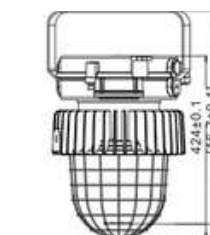
Dimensions

GSeries I

[Unit: mm/inch]



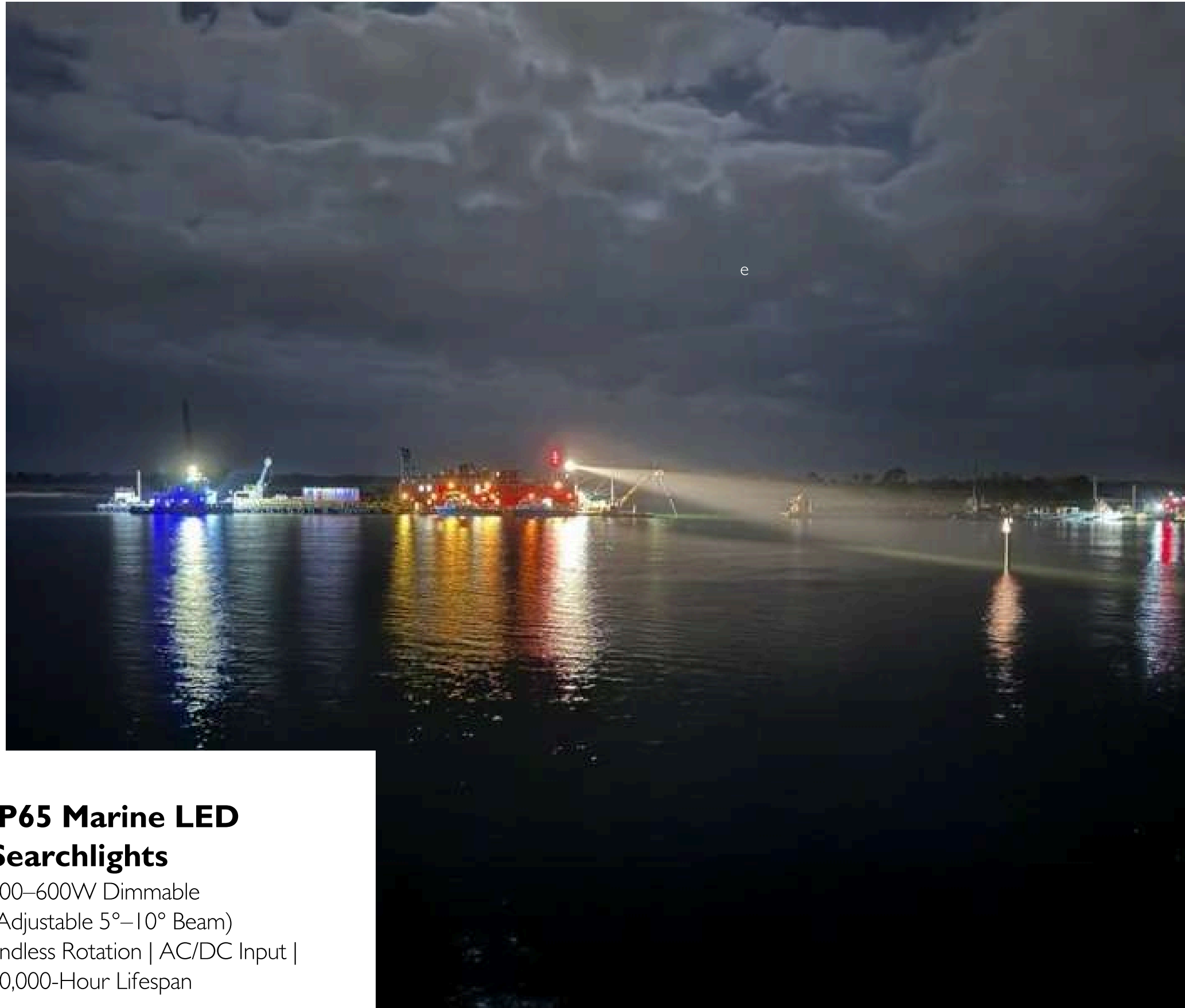
GSeries2



ATEX Standard		II 3 G Ex xR IIC T6...T4 Gc II 2 D Ex tb IIIC T80°C...T130°C Db	Retilap Standard		Esquema 5 RETILAP
IECex Standard		Ex nR IIC T6...T4 Gc Ex tb IIIC T80°C...T130°C Db			

Packing Information

Model	Quantity/Carton	Packing Size (mm/inch)	N.W (kg/lb)	G.W (kg/lb)
JNHB-ATEX-GSeries 1	1	530x520x380mm; 20.87x20.48x14.96inch	10.5 kg/23.15 lbs	12.5 kg/27.56 lbs
JNHB-ATEX-GSeries 2	1	400x480x300mm; 25.75x18.9x11.81inch	12.6 kg/27.78 lbs	15 kg/ 33.07 lbs



LED Searchlight Series Benefits

Dimmable 100W–600W marine-grade lighting solution built for demanding maritime environments. With adjustable beam angles ranging from a sharp 5° spot beam to a broad 10° flood beam, these lights provide optimal visibility in every situation—from search and rescue missions to harbor operations and open sea navigation.

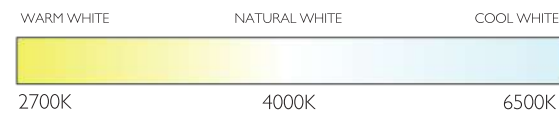
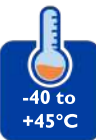
Equipped with endless rotation on both tilt and pan axes, the searchlights offer unmatched flexibility. Robust die-cast aluminium bodies are coated with AkzoNobel marine-grade powder, ensuring long-term durability. The housing is complemented by 316L stainless steel components, a tempered safety glass lens, and a PC wireless remote control rated IP67 for all-weather operation.

IP65 Marine LED Searchlights

100–600W Dimmable
(Adjustable 5°–10° Beam)
Endless Rotation | AC/DC Input |
50,000-Hour Lifespan



Single Lamp and Dual Lamp Marine LED Searchlight Series 180-600W approx (___-50,500lm approx)



Model	Input Voltage	System power (W)	Luminous Flux (lm)	Candela Output	Product type	Type of Light	Dimensions	Accessories
JN-MSL100	AC or DC	180W			Single lamp	LED	L245*W30*H21mm	Wired control panel and wireless remote
JN-MSL200		200W	17,000 lm	608,400	Dual lamp		L285*W30*H21mm	
JN-MSL380		400W	32,000 lm	1,200,000	Dual lamp		L285*W30*H21mm	
JN-MSL600		600W	50,500 lm	1,830,000	Dual lamp		L355*W30*H21mm	
JN-MSL100S		100W	9000 lm	310,000	Single lamp		L245*W30*H21mm	
JN-MSL120S		120W	10,500 lm	375,000	Single lamp		L285*W30*H21mm	
JN-MSL180S		180W	16,000 lm	570,000S	Single lamp		L285*W30*H21mm	

Additional Information

- Wattage Range:** 100W to 600W (Dimmable)
- Colour Temperatures:** 4000K / 5000K / 6500K (mono-colour selection confirmed on order)
- CRI:** Typical CRI 70; higher CRI available upon request
- Beam Angle:** Adjustable from 5° (spot) to 10° (flood)
- Nominal Lifespan:** Up to 50,000 hours
- Housing Material:** Die-cast Aluminium Lamp Body
- Surface Coating:** AkzoNobel marine powder coating
- Ingress Protection:** IP65
- Mounting Plate Options:** Round or Square
- Warranty:** 3 years



Versatile Marine-Grade Illumination

Designed for inland river vessels, ocean-going ships, harbour tugs, and power boats, this versatile lighting system supports both AC and DC inputs. Whether you require wired control from the wheelhouse or wireless remote operation from anywhere on deck, the LED Searchlight Series delivers dependable, marine-tested illumination—every time.



Model	Candela Output (cd)	CCT (K)	Product size	Crate size	Qty/ Crate	N.W.	G.W.
JN-MSL180 (single lamp)			L693*W350*H227mm	L50*W30*H55cm	1 pc	38kg	48kg
JN-MSL200 (dual lamp)	608,400	4000-6500	L793*W227H489mm	L93*W43*H53cm	1 pc	38kg	48kg
JN-MSL380 (dual lamp)	1,156,000	4000-6500	L967*W227*H508mm	L103*W45.5*H61.2cm	1 pc	42kg	55kg
JN-MSL600 (dual lamp)	1,825,300	4000-6500	L1079*W227*H538mm	L121*W47*H63cm	1 pc	47kg	62kg

Installation

Supplied with a standard 2m long 3*1.5mm² cable. Custom cable lengths are available upon request. Mounting requires M10 screws (not included); screw hole size: 6 × Ø11.

Additional Information

TILT Sector: endless rotation
PAN Sector: endless rotation

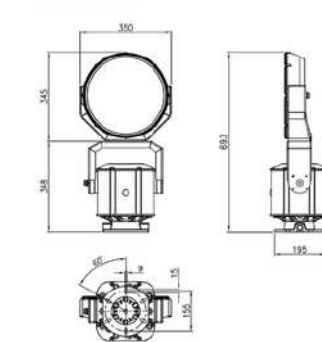
- Both lights can be controlled individually/ separately
- With wired control panel for use inside the wheelhouse and wireless remote control for use around the vessel
- Multiple lights can be controlled in unison from one wired control panel or one remote control

Glass: reinforced tempered safety glass

- Standard housing colours that are available are white/ black/ grey. Other colours are available on request
- Choice of 4000K, 5000K and 6500
- Robust marine LED searchlight series
- Die-casting Aluminium Lamp body with AkzoNobel marine powder coating
- Die-casting Aluminium base
- Brushless servo motors
- LED lighting technology
- 316L Stainless Steel brackets
- 316L Stainless Steel Driver box
- 316L Stainless Steel C-frames
- PC wireless and waterproof (IP67) remote control and wired remote control for dash mounting
- AC and DC marine LED searchlights available
- Typical CRI 70. Higher CRI available on request

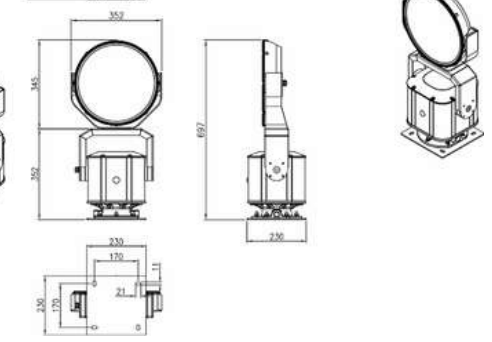
JN-MSL180 with round mounting plate

(with external LED driver housing. The LED driver is not integrated in the Searchlight)

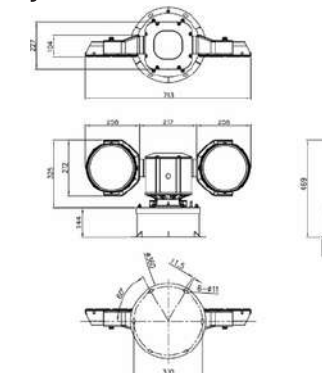


JN-MSL180 with square mounting plate

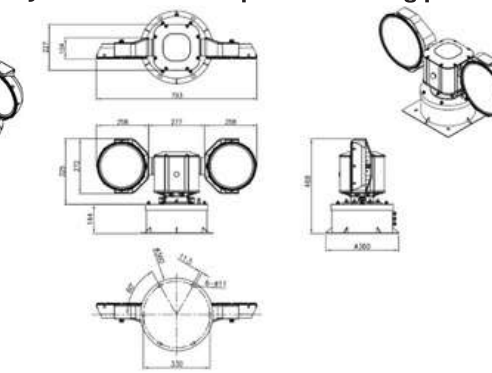
(with external LED driver housing. The LED driver is not integrated in the Searchlight)



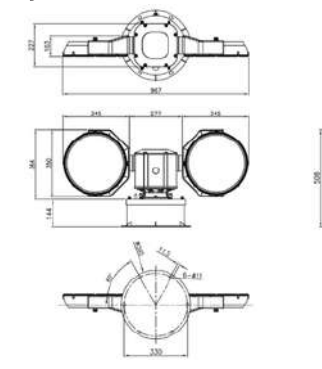
JN-MSL200 with round mounting plate



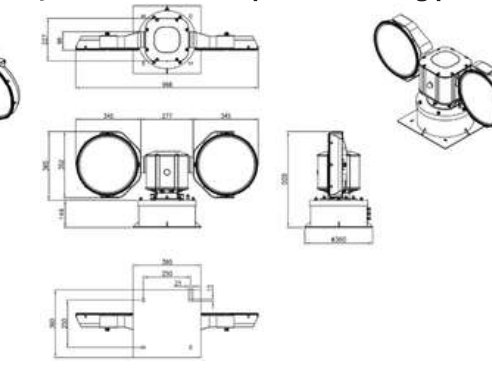
JN-MSL200 with square mounting plate



JN-MSL380 with round mounting plate

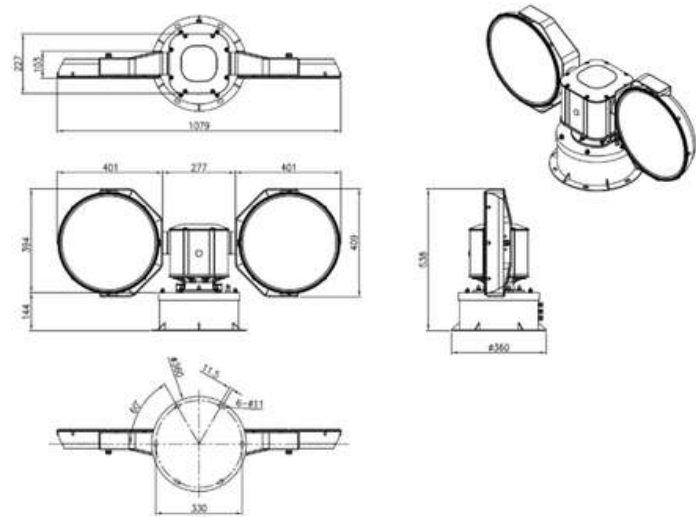


JN-MSL380 with square mounting plate

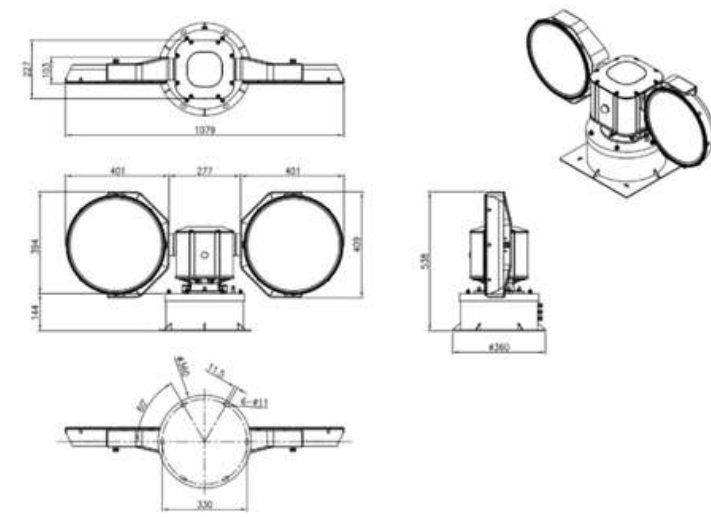


Single Lamp and Dual Lamp Marine LED Searchlight Series
180-600W approx (___-50,500lm approx)

JN-MSL600 with round mounting plate



JN-MSL600 with square mounting plate



Standard Housing Colours

Black
Marine powder coat:
Graphite Black
RAL9011 – gloss level

Grey
Marine powder coat:
White Aluminium –
RAL9006 – gloss level

White
Marine powder coat:
Traffic White
RAL9016 – gloss level

Additional Information

Colour temperature: choice of mono-colour 4000K, 5000K and 6500K (to be confirmed upon order placement)

TILT Sector: endless rotation

PAN Sector: endless rotation

Input power:

JN-MSL180 (single-lamp model): DC LED drivers are placed inside an exterior waterproof casing

JN-MSL200 (dual-lamp model), JN-MSL400 (dual-lamp model) and JN-MSL600 (dual-lamp model): AC LED drivers are integrated in the base of the searchlight



Export-Ready Packaging

A sturdy ply-wood crate is used to pack each LED searchlight. The crate does not require fumigation before cross-border shipping.

Model	Crate material	Crate size	Qty/ Crate	N.W.	G.W.
JN-MSL180	Plywood	L50*W30*H55cm	1 pc	23 kg	28 kg
JN-MSL200	Plywood	L93*W43*H53cm	1 pc	38 kg	48 kg
JN-MSL380	Plywood	L103*W45.5*H61.2cm	1 pc	42 kg	55 kg
JN-MSL600	Plywood	L121*W47*H63cm	1 pc	47 kg	62 kg



LED Mobile Towers



Street lights

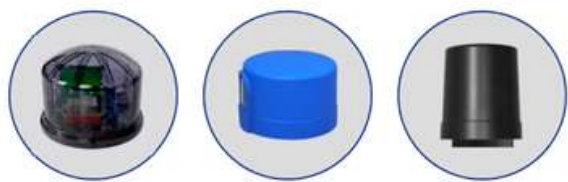


**IE Streetlights and Solar LED streetlights
70-240W approx. (5,200-28,500lm approx.)**



- LED streetlights for vertical and horizontal mounting.
- Available with individual mounting brackets for 40, 50 or 60mm mounting.

LIGHT CONTROLLER



ZHAGA PHOTOCELL SENSOR LORA

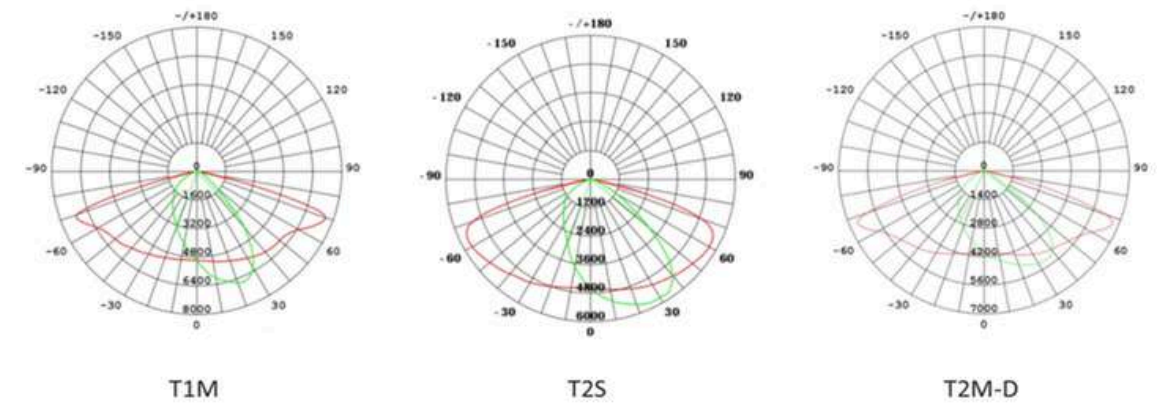


High-Performance LED Lighting

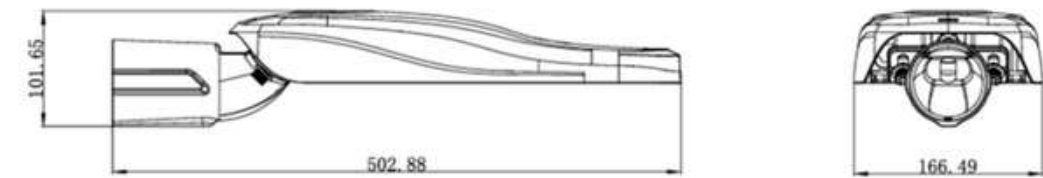
- Available from 30W-165W
- Massive light output of up to 29,700lm
- Ultra high system efficiency of up to 160-180lm/W
- Lifespan 100,000hrs
- Anti corrosive painting
- 5 year warranty
- Available with different types of sensor (Zhaga, photocell, LoRa)



Photometric Diagram



Dimensions 30/ 40/ 50/ 60/ 70W LED streetlights:



Technical Data 30/ 40/ 50/ 60/ 75W LED Streetlights

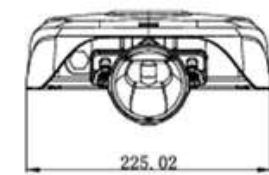
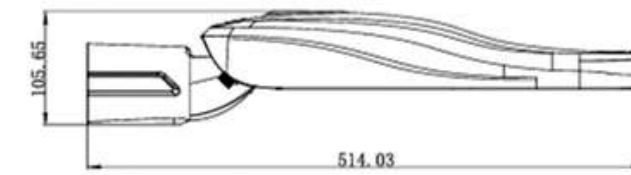
Model No.	Mounting Bracket Diameter (mm)	Dimensions (length*width*height in mm)	Housing Colour and Material	Surge protection	Dimming Control	Driver lifespan
JNSTR6-030S	Ø40, 50 or 60. To be confirmed upon order confirmation	503*166.49*101.65	Grey aluminium with powder coat finished and reinforced glass	10kV	1-10V, DALI2, D4i, LoRaWAN	50,000hrs
JNSTR7-040S		503*166.49*101.65		10kV		50,000hrs
JNSTR8-50S		503*166.49*101.65		10kV		50,000hrs
JNSTR9-60S		503*166.49*101.65		10kV		50,000hrs
JNSTR10-75S		503*166.49*101.65		10kV		50,000hrs

**IE Streetlights and Solar LED streetlights
70-240W approx. (5,200-28,500lm approx.)**

Technical Data 30/ 40/ 50/ 60/ 75W LED Streetlights

Model No.	Luminous Flux (lm)	LED Power (W)	Power factor	LED Light Source	LED driver Voltage (V)	Beam angle (°)	Color Temp. (CRI)	Lifetime (hrs)	Working Temp. (°)
JNSTR6-030S	5200	70	≥0.95	Philips Lumileds 5050	inventronicss, Philips or Meanwell 100-277VAC	Beam angle: T1M/ T25/ T2M-D	2700K, 4000K, 5000K or 6500K (CR >I70. CRI 80 or 90 available)	100,000 hrs	-30°C to +45°C
JNSTR7-040S	6900	90	≥0.95	Philips Lumileds 5050	inventronicss, Philips or Meanwell 100-277VAC		2700K, 4000K, 5000K or 6500K (CR >I70. CRI 80 or 90 available)	100,000 h	-30°C to +45°C
JNSTR8-50S	8800	120	≥0.95	Philips Lumileds 5050	inventronicss, Philips or Meanwell 100-277VAC		2700K, 4000K, 5000K or 6500K (CR >I70. CRI 80 or 90 available)	100,000 h	-30°C to +45°C
JNSTR9-60S	10400	190	≥0.95	Philips Lumileds 5050	inventronicss, Philips or Meanwell 100-277VAC		2700K, 4000K, 5000K or 6500K (CR >I70. CRI 80 or 90 available)	100,000 h	-30°C to +45°C
JNSTR10-75S	13200	240	≥0.95	Philips Lumileds 5050	inventronicss, Philips or Meanwell 100-277VAC		2700K, 4000K, 5000K or 6500K (CR >I70. CRI 80 or 90 available)	100,000 h	-30°C to +45°C

Dimensions 80/ 90/ 100/ 120W LED Streetlights:



Technical Data 80/ 90/ 100/ 120W LED Streetlights

Model No.	Luminous Flux (lm)	LED Power (W)	Power factor	LED Light Source	LED driver Voltage (V)	Beam angle (°)	Color Temp. (CRI)	Lifetime (hrs)	Working Temp. (°)
JNSTR11-080S	14000	75	≥0.95	Philips Lumileds 5050	inventronicss, Philips or Meanwell 100-277VAC		2700K, 4000K, 5000K or 6500K (CR >I70. CRI 80 or 90 available)	100,000 h	-30°C to +45°C
JNSTR12-090S	16000	85	≥0.95	Philips Lumileds 5050	inventronicss, Philips or Meanwell 100-277VAC		2700K, 4000K, 5000K or 6500K (CR >I70. CRI 80 or 90 available)	100,000 h	-30°C to +45°C
JNSTR13-100S	18000	100	≥0.95	Philips Lumileds 5050	inventronicss, Philips or Meanwell 100-277VAC		2700K, 4000K, 5000K or 6500K (CR >I70. CRI 80 or 90 available)	100,000 h	-30°C to +45°C
JNSTR14-120S	21000	110	≥0.95	Philips Lumileds 5050	inventronicss, Philips or Meanwell 100-277VAC		2700K, 4000K, 5000K or 6500K (CR >I70. CRI 80 or 90 available)	100,000 h	-30°C to +45°C

**IE Streetlights and Solar LED streetlights
70-240W approx. (5,200-28,500lm approx.)**

Technical Data 80/ 90/ 100/ 120W LED Streetlights

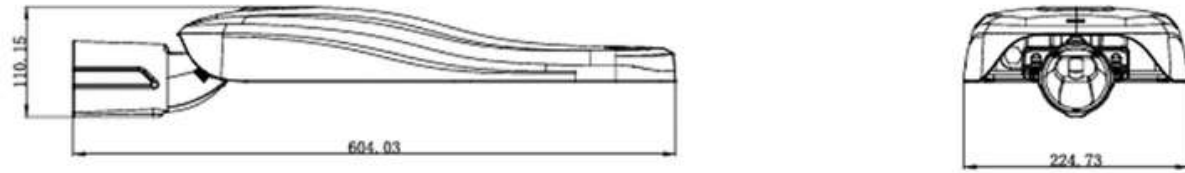
Model No.	Mounting Bracket Diameter (mm)	Dimensions (length*width*height in mm)	Housing Colour and Material	Surge Protection	Dimming Control	Driver Lifespan
JNSTR6-030S	Ø40, 50 or 60. To be confirmed upon order confirmation	503*166.49*101.65	Grey aluminium with powder coat finished and reinforced glass	10kV	1-10V, DALI2, D4i, LoRaWAN	50,000hrs
JNSTR7-040S	Ø40, 50 or 60. To be confirmed upon order confirmation	503*166.49*101.65				
JNSTR8-50S	Ø40, 50 or 60. To be confirmed upon order confirmation	503*166.49*101.65				
JNSTR9-60S	Ø40, 50 or 60. To be confirmed upon order confirmation	503*166.49*101.65				
JNSTR10-75S	Ø40, 50 or 60. To be confirmed upon order confirmation	503*166.49*101.65				

Model No.	Luminous Flux (lm)	LED Power (W)	Power Factor	LED Light Source	LED Driver Voltage (V)	Beam angle (°)	Color Temp. (CRI)	Lifetime (hrs)	Working Temp. (°)
JNSTR11-080S	14000	75	≥0.95	Philips Lumileds 5050	inventronicss, Philips or Meanwell 100-277VAC		2700K, 4000K, 5000K or 6500K (CR >170. CRI 80 or 90 available)	100,000 hrs	-30°C to +45°C
JNSTR12-090S	16000	85	≥0.95	Philips Lumileds 5050	inventronicss, Philips or Meanwell 100-277VAC		2700K, 4000K, 5000K or 6500K (CR >170. CRI 80 or 90 available)	100,000 hrs	-30°C to +45°C



IE Streetlights and Solar LED streetlights 70-240W approx. (5,200-28,500lm approx.)

Dimensions I50/ I65W LED Streetlights:



Technical Data I50/ I65W LED Streetlights

Model No.	Mounting bracket diameter in mm	Dimensions (length*width*height in mm)	Housing colour and material	Surge protection	Dimming Control	Driver lifespan
JNSTR15-150S	Ø40, 50 or 60. To be confirmed upon order confirmation	604.03*224.73*110.15	Grey aluminium with powder coat finished and reinforced glass	10kV		
JNSTR16-160S	Ø40, 50 or 60. To be confirmed upon order confirmation	604.03*224.73*110.15			50000hrs	

Model No.	Luminous Flux (lm)	LED Power (W)	Power factor	LED Light Source	LED driver Voltage (V)	Beam angle (°)	Color Temp. (CRI)	Lifetime (hrs)	Working Temp. (°)
JNSTR15-150S	26000	150	≥0.95	Philips Lumileds 5050	inventronicss, Philips or Meanwell 100-277VAC		2700K, 4000K, 5000K or 6500K (CR >170. CRI 80 or 90 available)	100,000 hrs	-30°C to +45°C
JNSTR16-160S	28500	160	≥0.95	Philips Lumileds 5050	inventronicss, Philips or Meanwell 100-277VAC		2700K, 4000K, 5000K or 6500K (CR >170. CRI 80 or 90 available)	100,000 h	-30°C to +45°C

Solar LED Streetlights



LED SOLAR STREET LIGHT SPECIFICATIONS		
Solar panel specifications:	Max. power	18V/ 70W (High Efficiency)
	Life time expectation	15 years
Battery specifications:	Type	Lithium Battery (12.8V AH)
	Life time expectation	8-10 years
LED Lamp specifications (with sensor)	Max. power	12V/ 100W
	LED chip brand	192 pieces Philips Luxeon 3030 LED chip
	Lumen (LM)	150lm/ W
	Life time expectation	50,000 hours
	Beam angle	120°
Charging time	Solar charging	6-8 hours (strong sunshine)
Working temperature	Range (°C)	-25°C~+65°C
Colour temperature	Range (Kelvin)	6000K-6500K (customized)
Mounting height	Range (m)	6-7m
Suggested spacing between lights	Range (m)	15-20m
Pole installation diameter	60mm	
Cloudy/ Rainy days	5-7 Cloudy/ Rainy days	
Lamp housing main material	Aluminium alloy	
Motion sensor	Yes (Microwave Sensor)	
With/ without remote control	Yes (1pc remote per lot)	
Sensor function	The streetlamp works at full capacity when the sensor senses human presence. Once the persons	
Certificate	CE / RoHS / IP65	

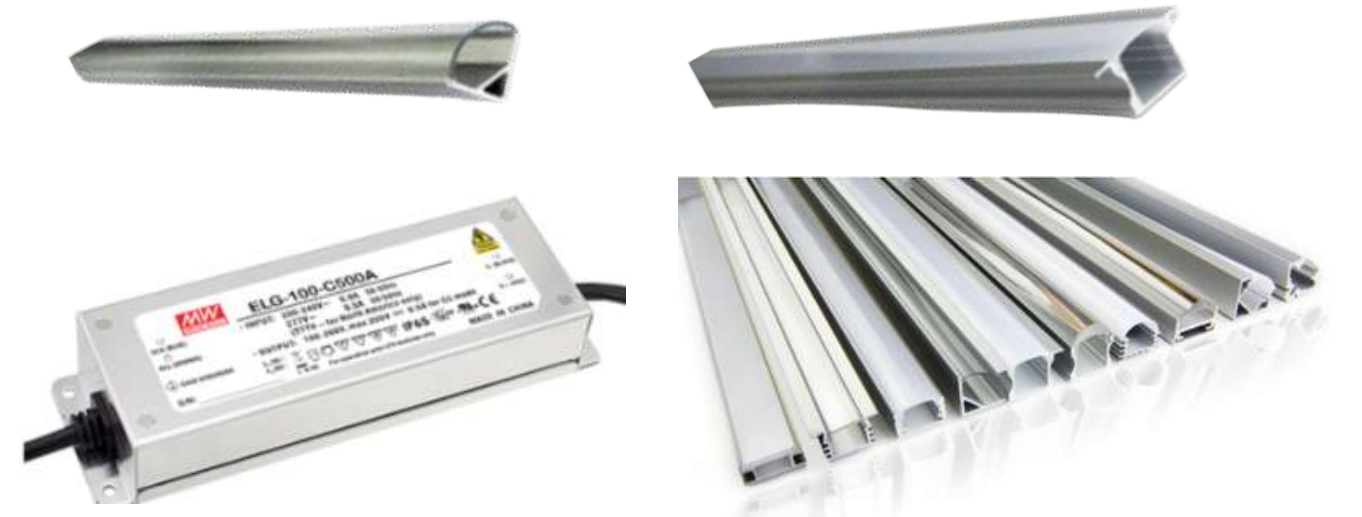
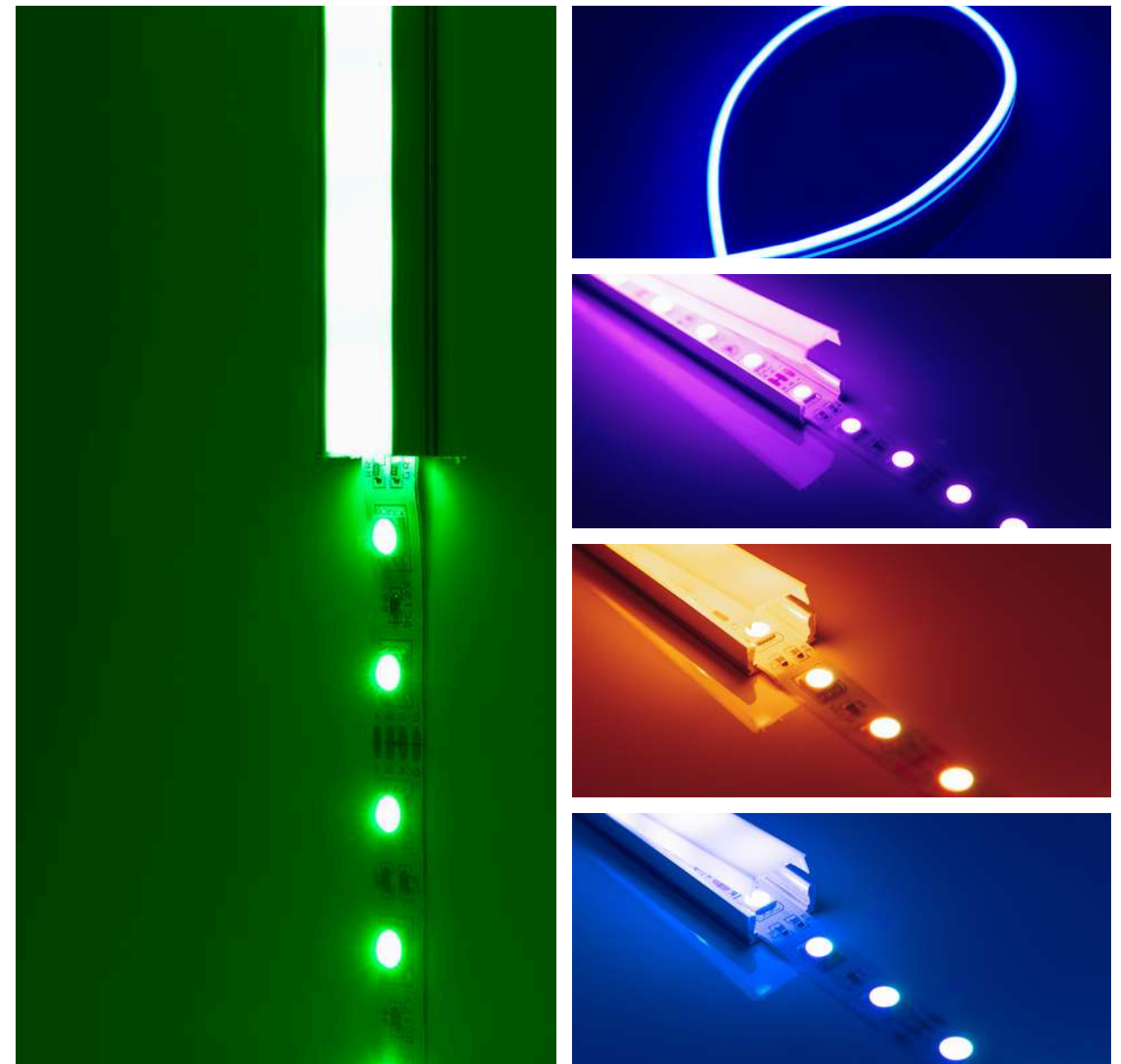
LED Strip Lights



JN LED
MARINE LIGHTING

LED STRIP LIGHTS

COB LEDs



Please contact us for details about our wide range of LED strip, LED drivers and accessories.

head offices & branches

HOSTMOST ENGINEERING LTD.

A: 12/F Yan's Tower 27 Wong Chuk Hang Rd, Hong Kong
T: +852 2554 9207
e: hk.sales@hostmostgroup.com

HOSTMOST PHILIPPINES INC.

A: Unit 102 S&L Building, 1500 Roxas Blvd Ermita, Manila, 1000
T: +63 2 82423980
e: philippines@hostmostgroup.com

HOSTMOST (Shanghai) LTD.

A: Room A 23/F Qianjiang Tower, No. 971 Dong Fang Rd 200122
T: +86 21 6876 2991
e: shanghai@hostmostgroup.com

HOSTMOST MARINE VIETNAM CO. LTD

A: 391 Dao Tri, Phu Thuan, Ho Chi Minh City
T: +84 (0) 28 3773 4462
e: vietnam@hostmostgroup.com

HOSTMOST ENGINEERING (S) PTE LTD

A: 100 Pasir Panjang Rd #08-01 S118518
T: +65 6250 2687
e: sg.sales@hostmostgroup.com

HOSTMOST MARINE SERVICES (Canada) Ltd.

A: 4302 Norfolk Street, Burnaby, B.C. V5G 4J9
T: +1 (604) 293 1730
e: canada@hostmostgroup.com

globalservice@hostmostgroup.com

www.hostmostgroup.com